

Layer 2 Network Design

Carlos Vicente
University of Oregon
cvicente@uoregon.edu



UNIVERSITY OF OREGON

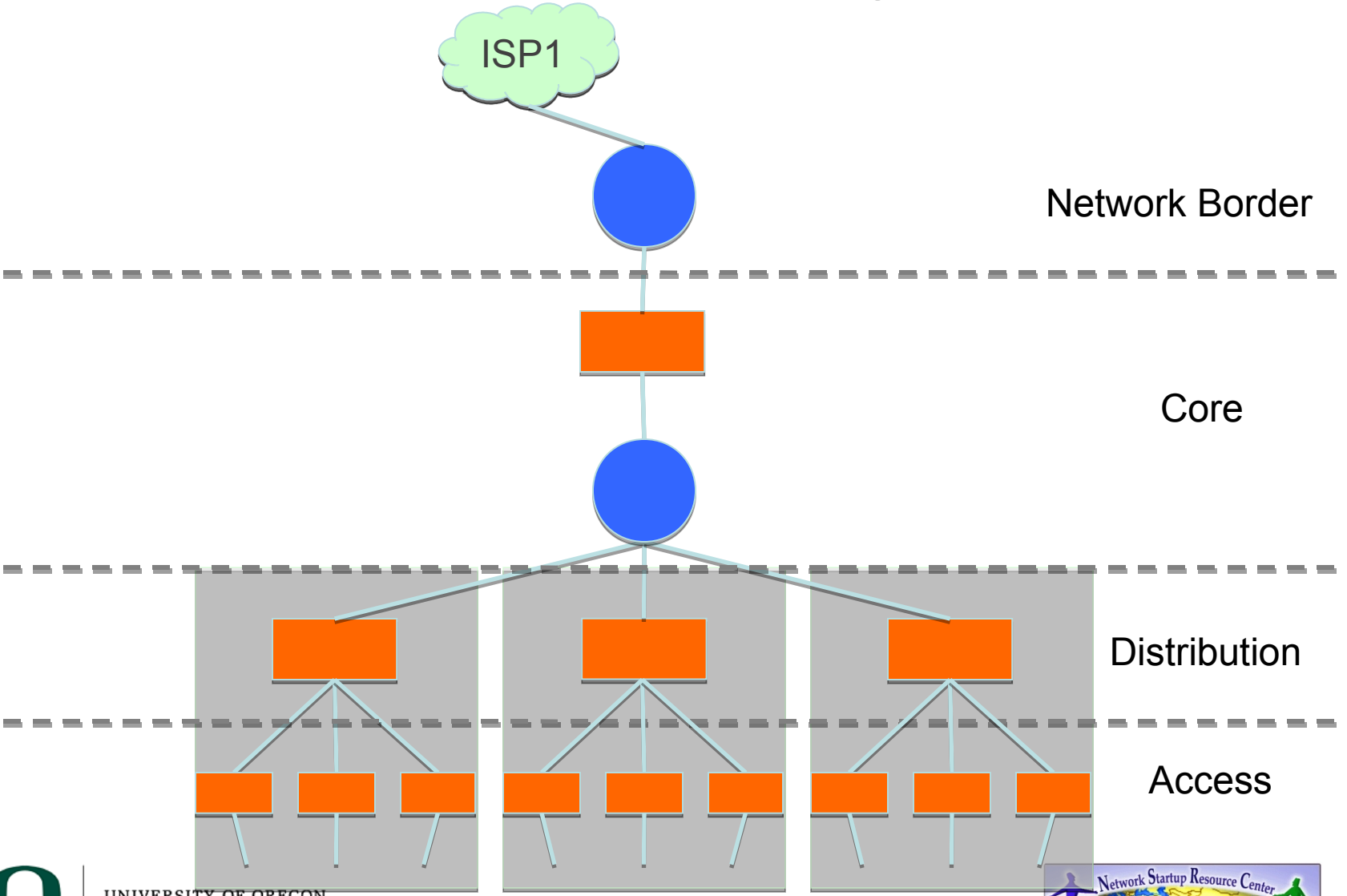


Campus Network Design - Review

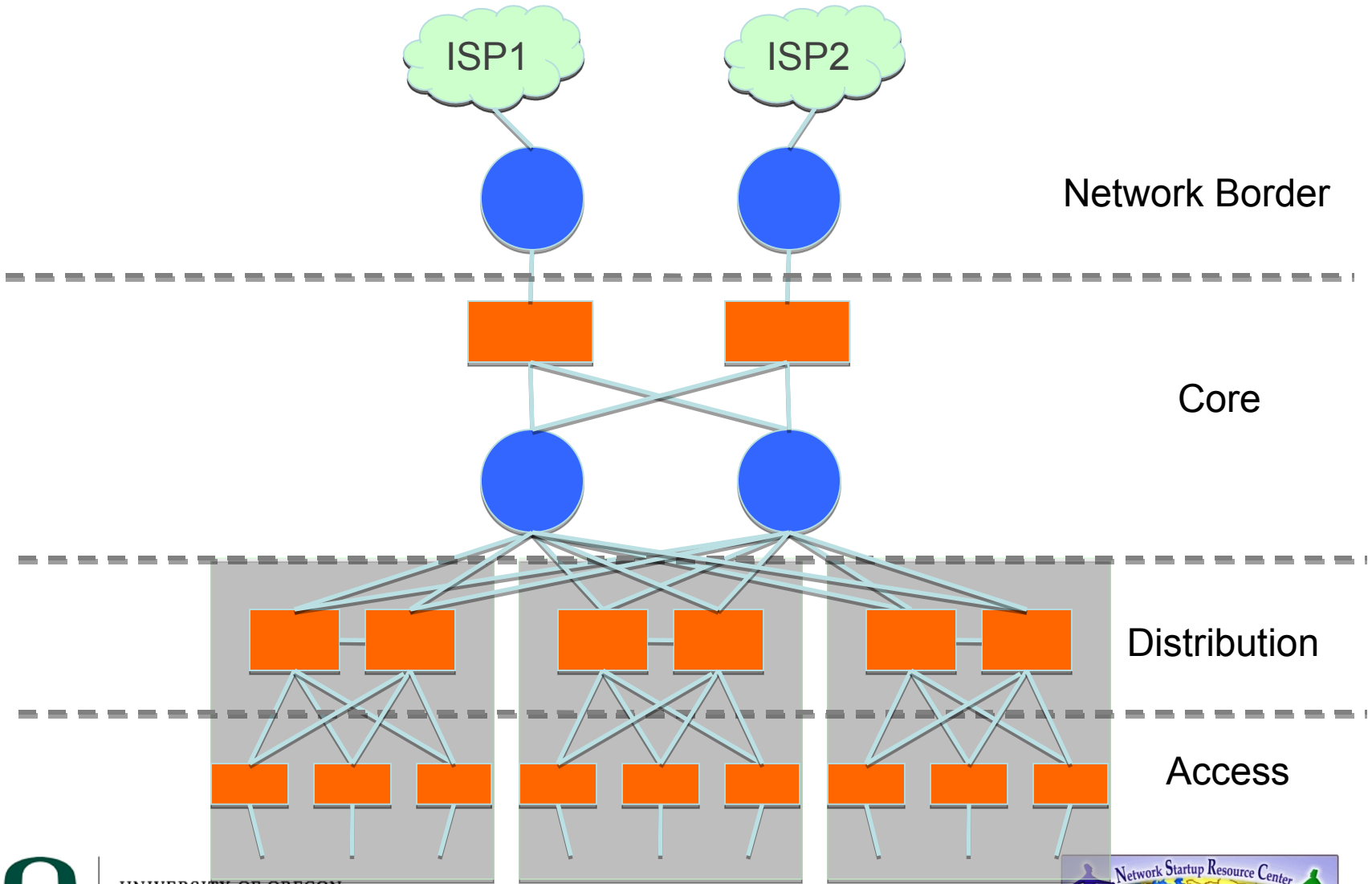
- A good network design is modular and hierarchical, with a clear separation of functions:
 - Core: Resilient, few changes, few features, high bandwidth, CPU power
 - Distribution: Aggregation, redundancy
 - Access: Port density, affordability, security features, many adds, moves and changes



Campus Network Design - Simple



Campus Network Design - Redundant



In-Building and Layer 2

- There is usually a correspondence between building separation and subnet separation
 - Switching inside a building
 - Routing between buildings
- This will depend on the size of the network
 - Very small networks can get by with doing switching between buildings
 - Very large networks might need to do routing inside buildings



Layer 2 Concepts

- Layer 2 protocols basically control access to a shared medium (copper, fiber, electro-magnetic waves)
- Ethernet is the *de-facto* standard today
 - Reasons:
 - Simple
 - Cheap
 - Manufacturers keep making it faster



Ethernet Functions

- Source and Destination identification
 - MAC addresses
- Detect and avoid frame collisions
 - Listen and wait for channel to be available
 - If collision occurs, wait a random period before retrying
 - This is called CSMA-CD: Carrier Sense Multiple Access with Collision Detection



Ethernet Frame

Normal Ethernet frame

Preamble: 7	SFD: 1	DA: 6	SA: 6	Type/Length: 2	Data: 46 to 1500	CRC: 4
-------------	--------	-------	-------	----------------	------------------	--------

- SFD = Start of Frame Delimiter
- DA = Destination Address
- SA = Source Address
- CRC = Cyclick Redundancy Check



Evolution of Ethernet Topologies

- Bus
 - Everybody on the same coaxial cable
- Star
 - One central device connects every other node
 - First with hubs (repeated traffic)
 - Later with switches (bridged traffic)
 - Structured cabling for star topologies standardized



Switched Star Topology Benefits

- It's modular:
 - Independent wires for each end node
 - Independent traffic in each wire
 - A second layer of switches can be added to build a hierarchical network that extends the same two benefits above
 - ALWAYS DESIGN WITH MODULARITY IN MIND

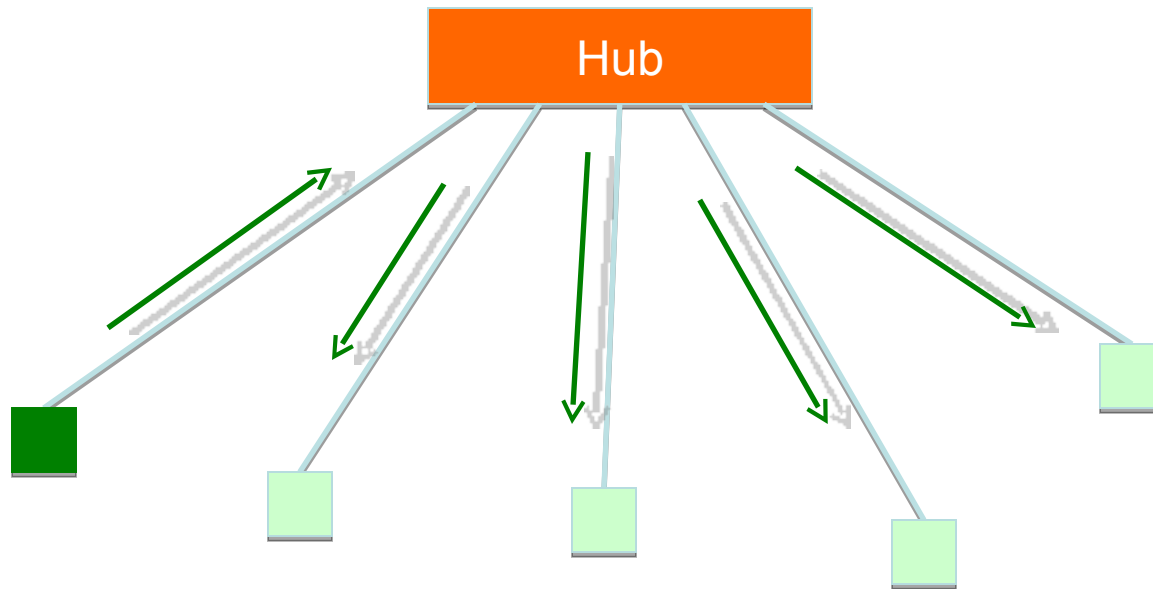


Hub

- Receives a frame on one port and sends it out every other port, always.
- Collision domain is not reduced
- Traffic ends up in places where it's not needed



Hub



A frame sent by one node is always sent to every other node. Hubs are also called “repeaters” because they just “repeat” what they hear.



Switch

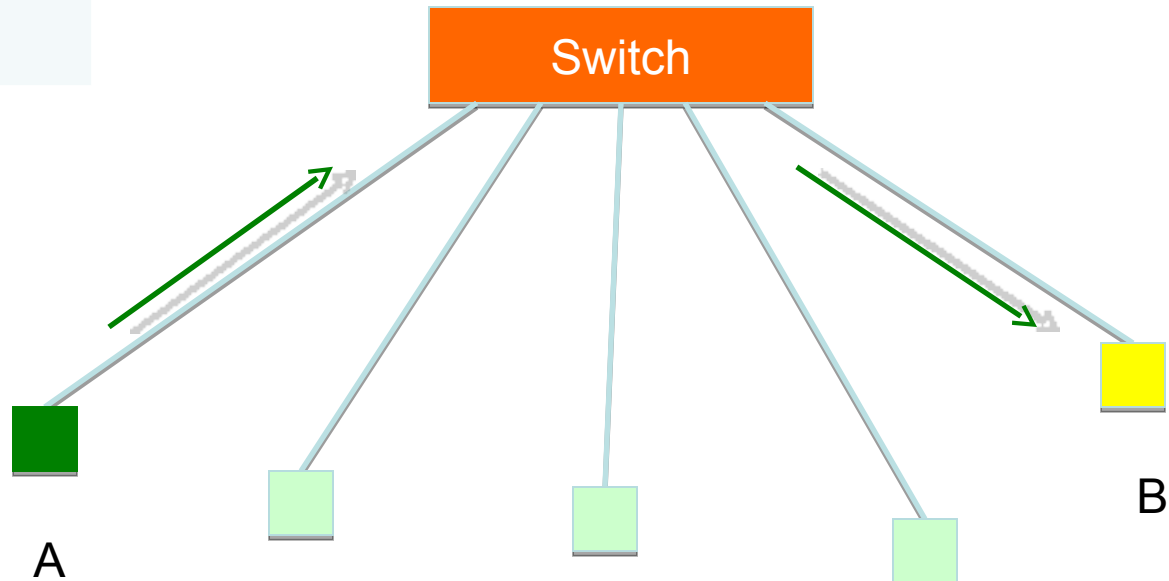
- **Learns** the location of each node by looking at the source address of each incoming frame, and builds a **forwarding table**
- **Forwards** each incoming frame to the port where the destination node is
 - Reduces the collision domain
 - Makes more efficient use of the wire
 - Nodes don't waste time checking frames not destined to them



Switch

Forwarding Table

Address	Port
AAAAAAAAAAAAA	1
BBBBBBBBBBBBB	5



Switches and Broadcast

- A switch broadcasts some frames:
 - When the destination address is not found in the table
 - When the frame is destined to the broadcast address (FF:FF:FF:FF:FF:FF)
 - When the frame is destined to a multicast ethernet address
- So, switches do not reduce the broadcast domain!



Switch vs. Router

- Routers more or less do with IP packets what switches do with Ethernet frames
 - A router looks at the IP packet destination and checks its ***routing table*** to decide where to forward the packet
- Some differences:
 - IP packets travel inside ethernet frames
 - IP networks can be logically segmented into *subnets*
 - Switches do not usually know about IP, they only deal with Ethernet frames

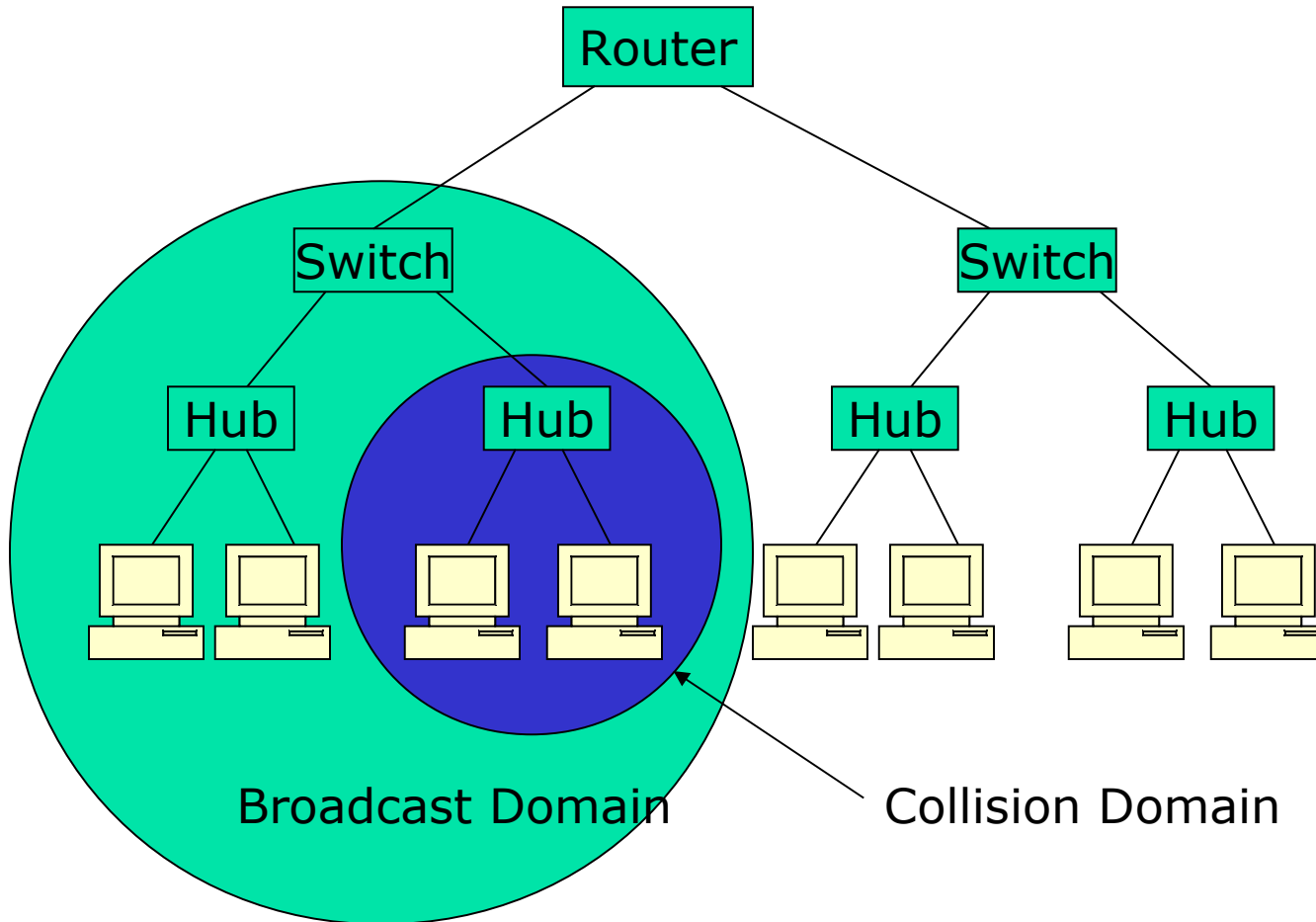


Switch vs. Router

- Routers do not forward Ethernet broadcasts. So:
 - Switches reduce the collision domain
 - Routers reduce the broadcast domain
- This becomes ***really*** important when trying to design hierarchical, scalable networks that can grow sustainably



Traffic Domains



Traffic Domains

- Try to eliminate collision domains
 - Get rid of hubs!
- Try to keep your broadcast domain limited to no more than 250 simultaneously connected hosts
 - Segment your network using routers

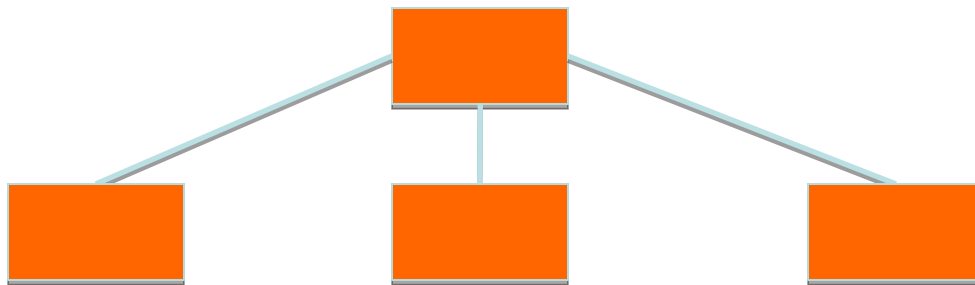
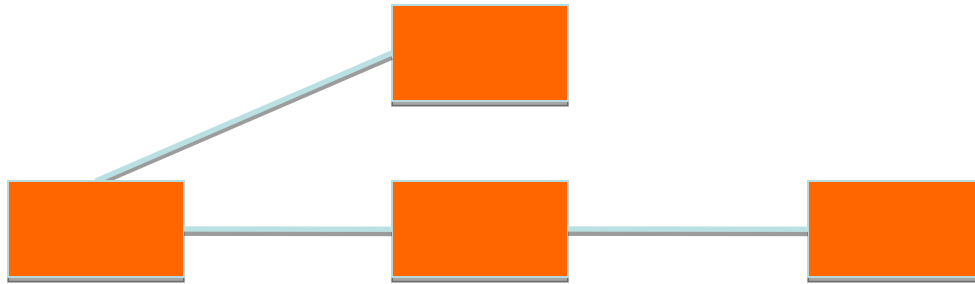


Layer 2 Network Design Guidelines

- Always connect hierarchically
 - If there are multiple switches in a building, use an aggregation switch
 - Locate the aggregation switch close to the building entry point (e.g. fiber panel)
 - Locate edge switches close to users (e.g. one per floor)
 - Max length for Cat 5 is 100 meters

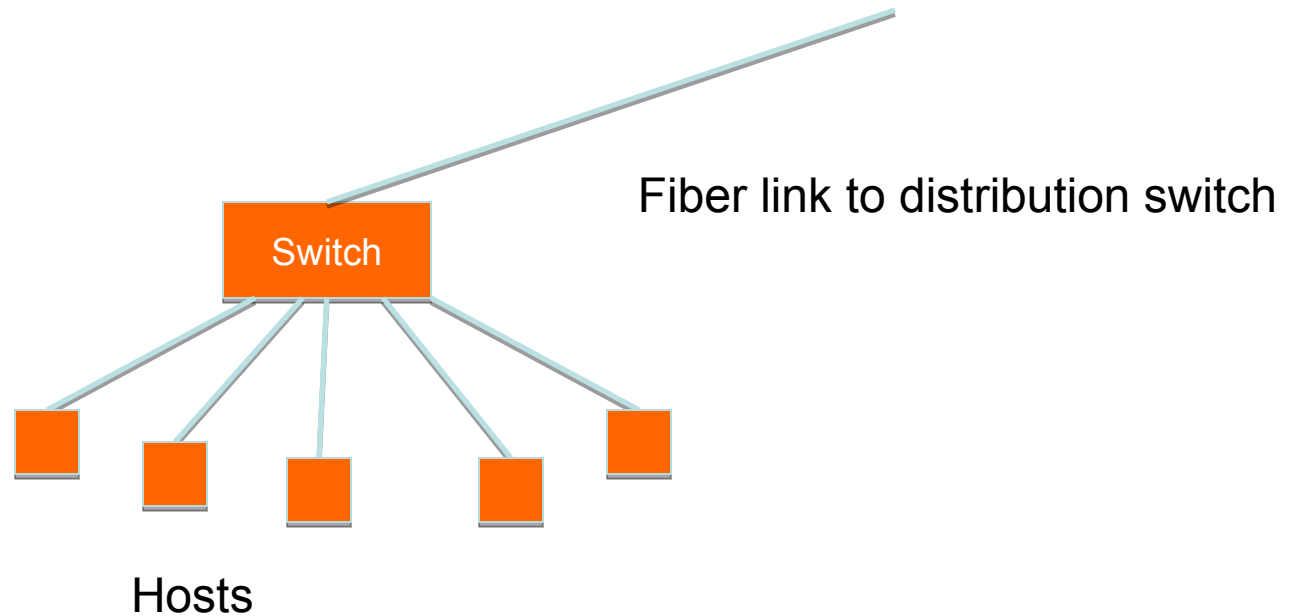


Minimize Path Between Elements



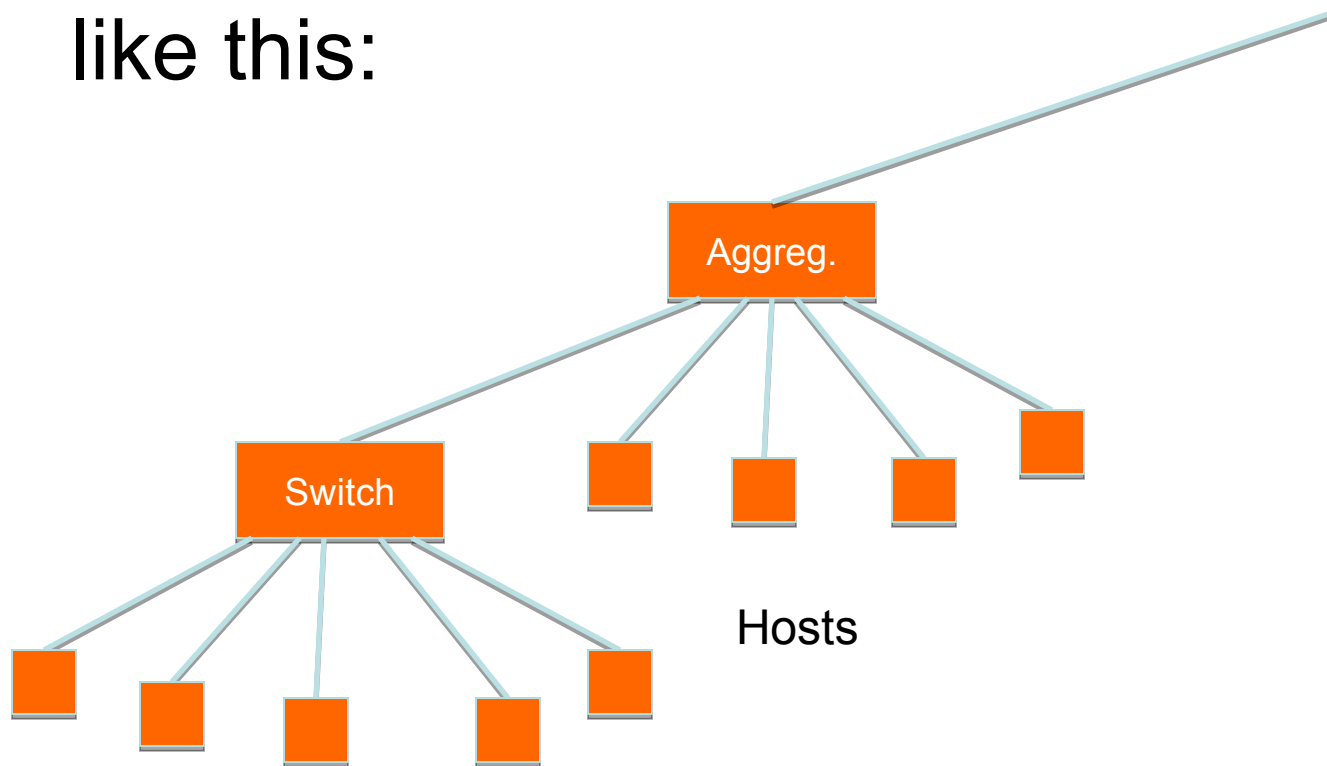
Build Incrementally

- Start small



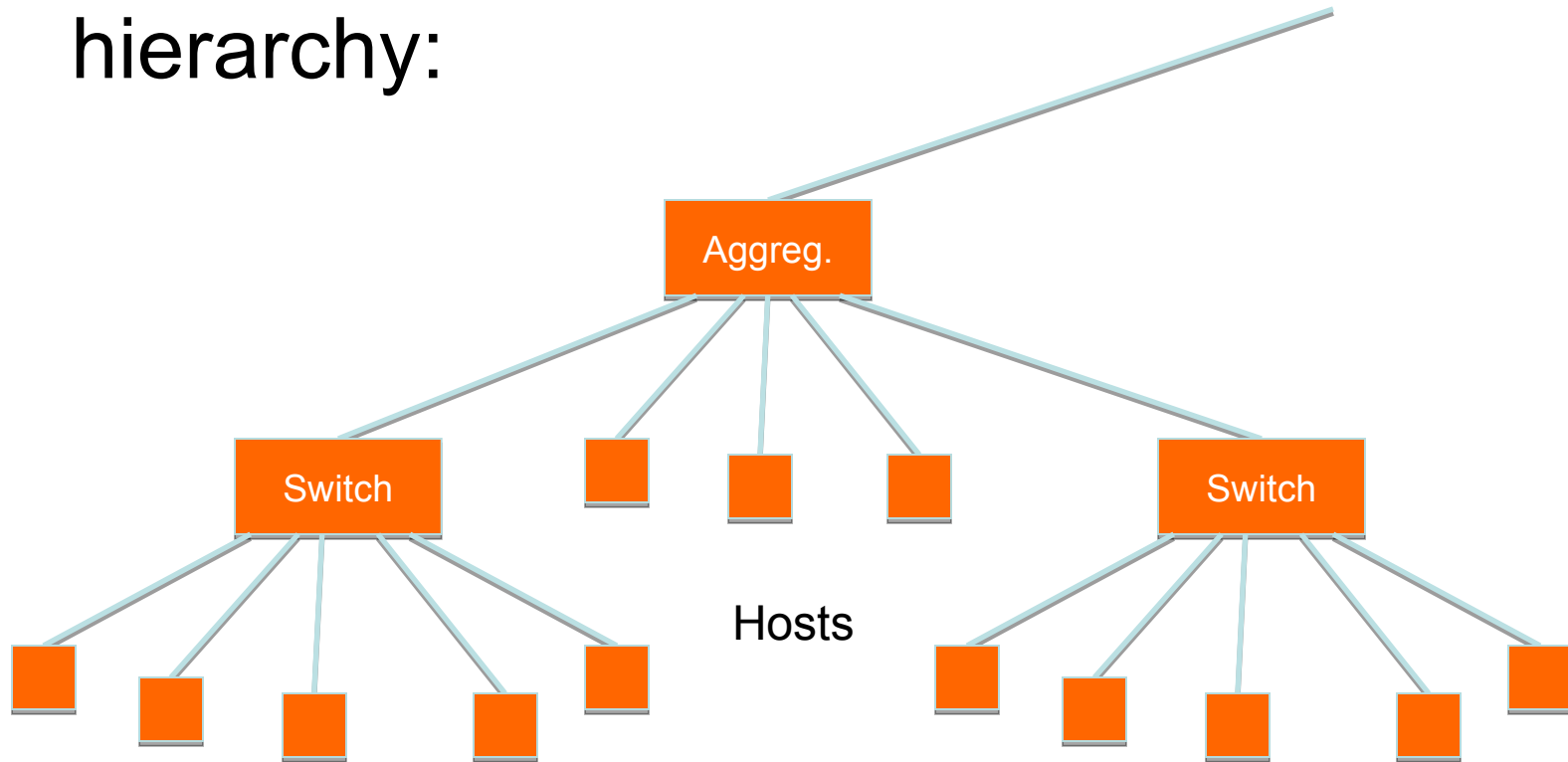
Build Incrementally

- As you have demand and money, grow like this:



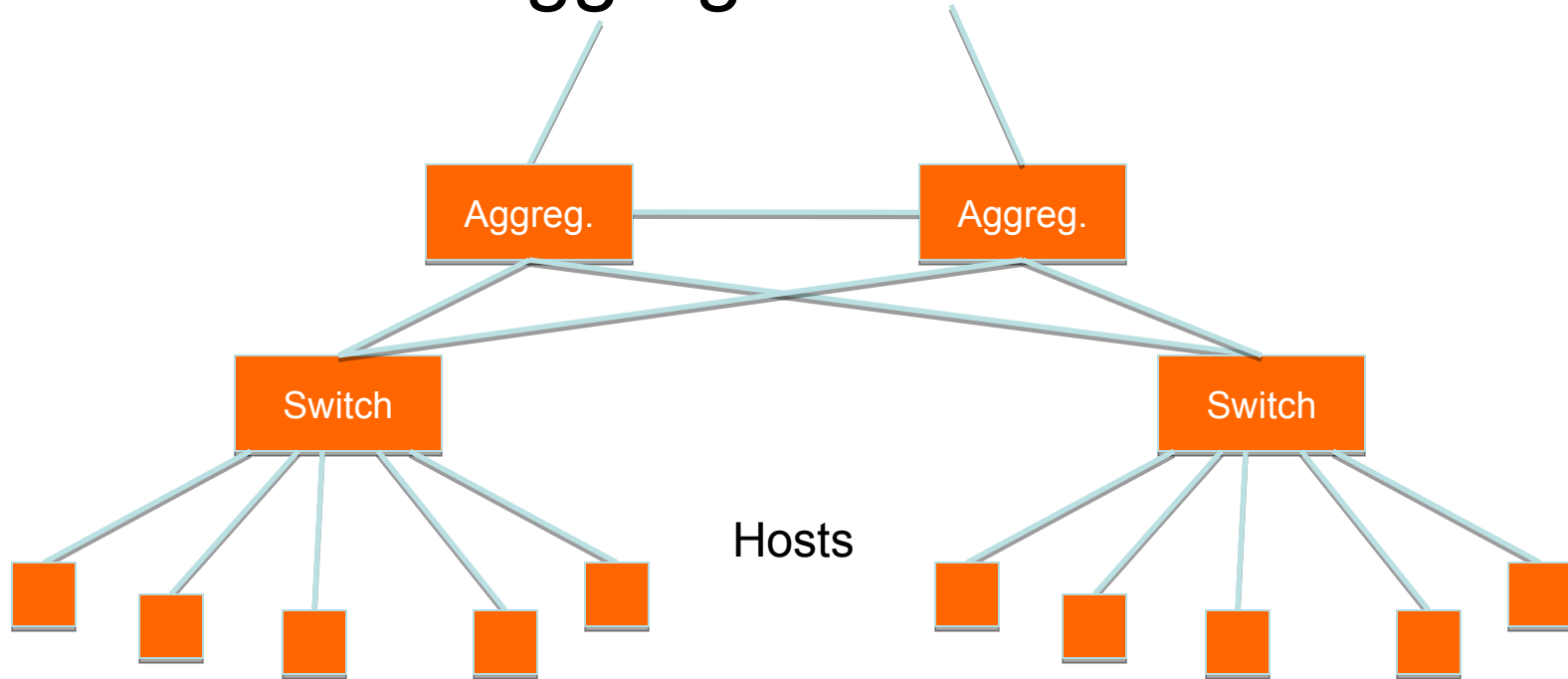
Build Incrementally

- And keep growing within the same hierarchy:



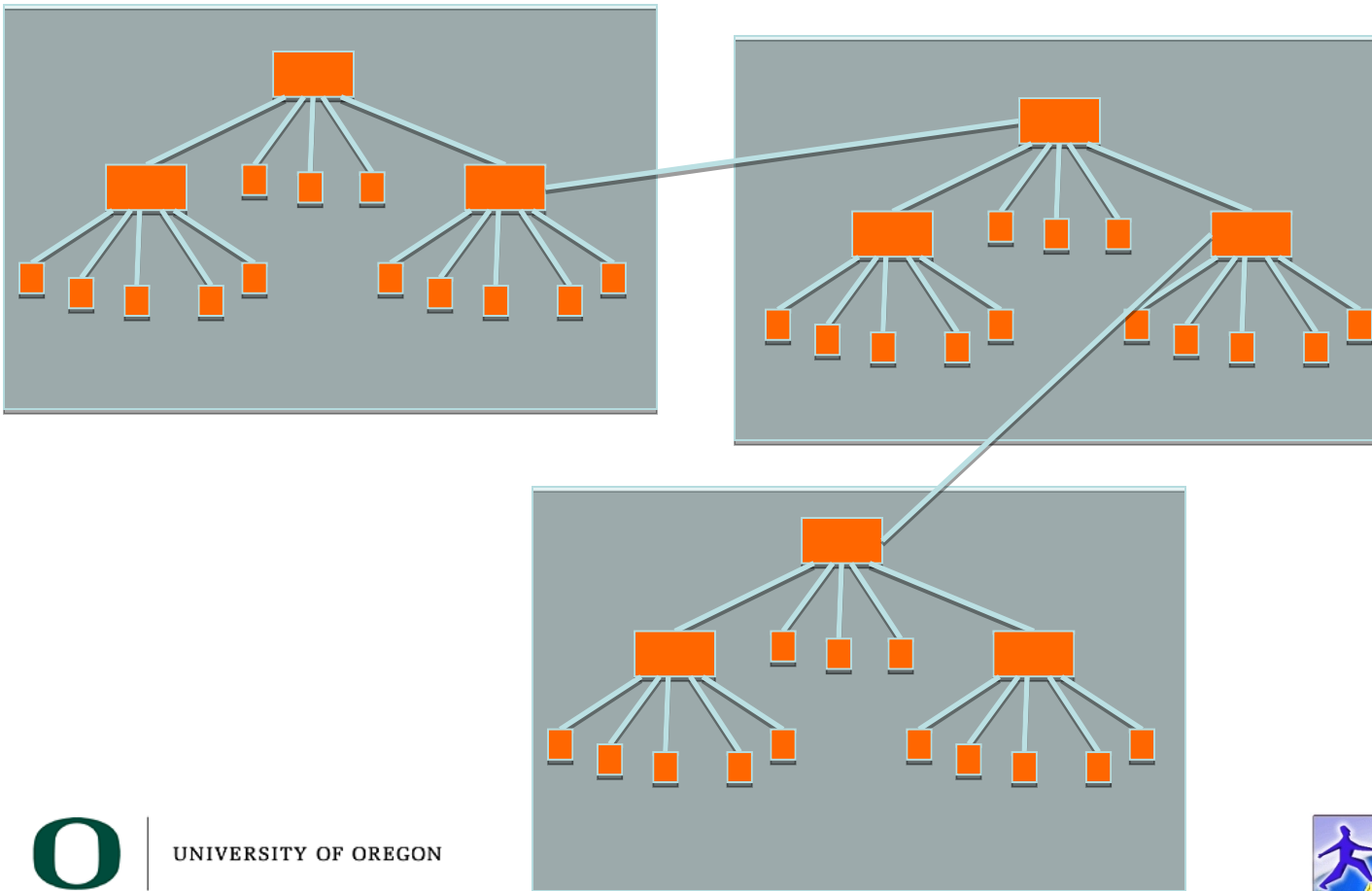
Build Incrementally

- At this point, you can also add a redundant aggregation switch

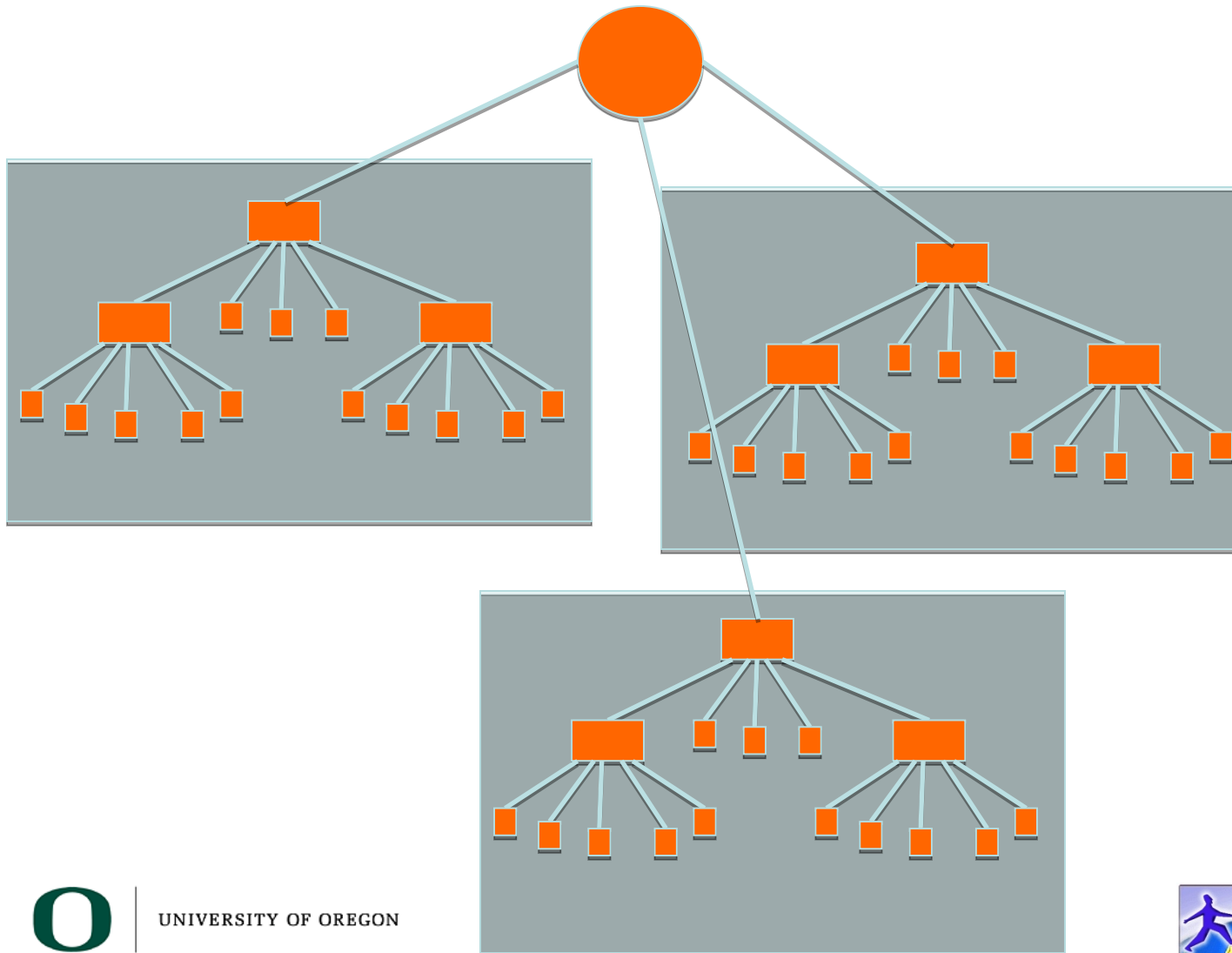


Do not daisy-chain

- Resist the temptation of doing this:



Connect buildings hierarchically



Virtual LANs (VLANs)

- Allow us to split switches into separate (virtual) switches
- Only members of a VLAN can see that VLAN's traffic
 - Inter-vlan traffic must go through a router

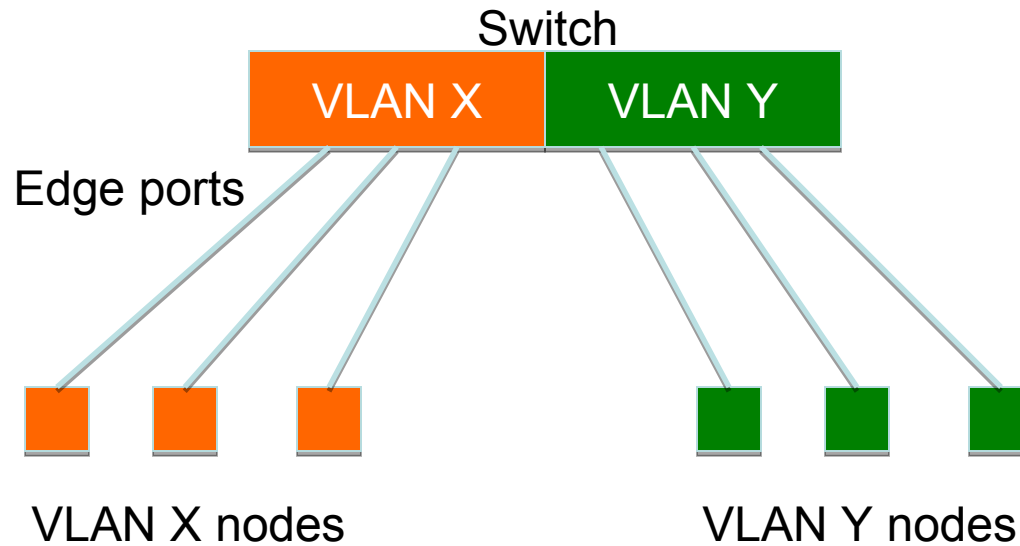


Local VLANs

- 2 VLANs or more within a single switch
- ***Edge ports***, where end nodes are connected, are configured as members of a VLAN
- The switch behaves as several virtual switches, sending traffic only within VLAN members



Local VLANs



VLANs across switches

- Two switches can exchange traffic from one or more VLANs
- Inter-switch links are configured as **trunks**, carrying frames from all or a subset of a switch's VLANs
- Each frame carries a **tag** that identifies which VLAN it belongs to



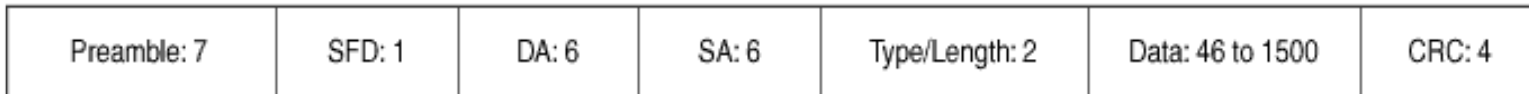
802.1Q

- The IEEE standard that defines how ethernet frames should be ***tagged*** when moving across switch trunks
- This means that switches from *different vendors* are able to exchange VLAN traffic.

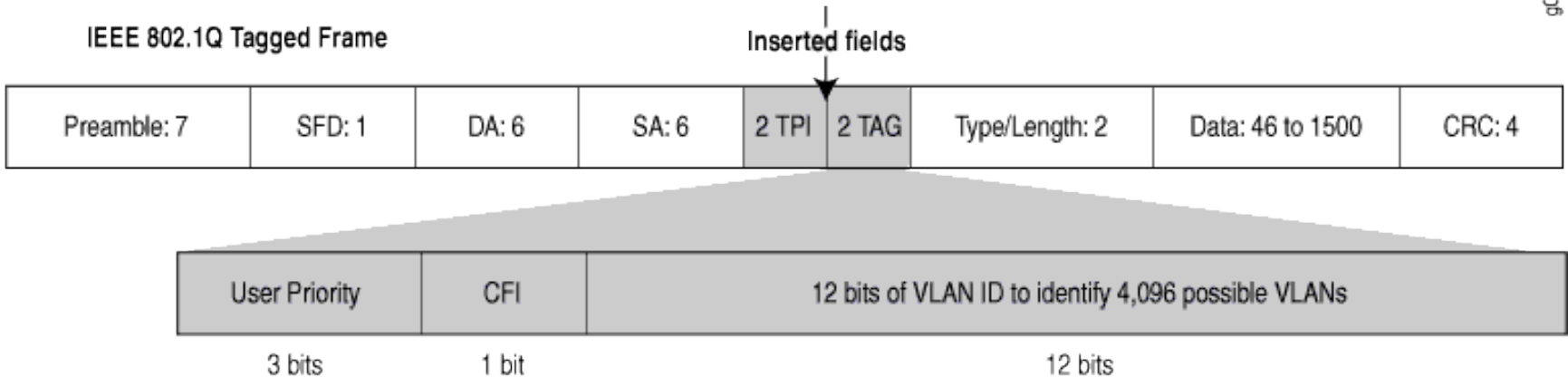


802.1Q tagged frame

Normal Ethernet frame



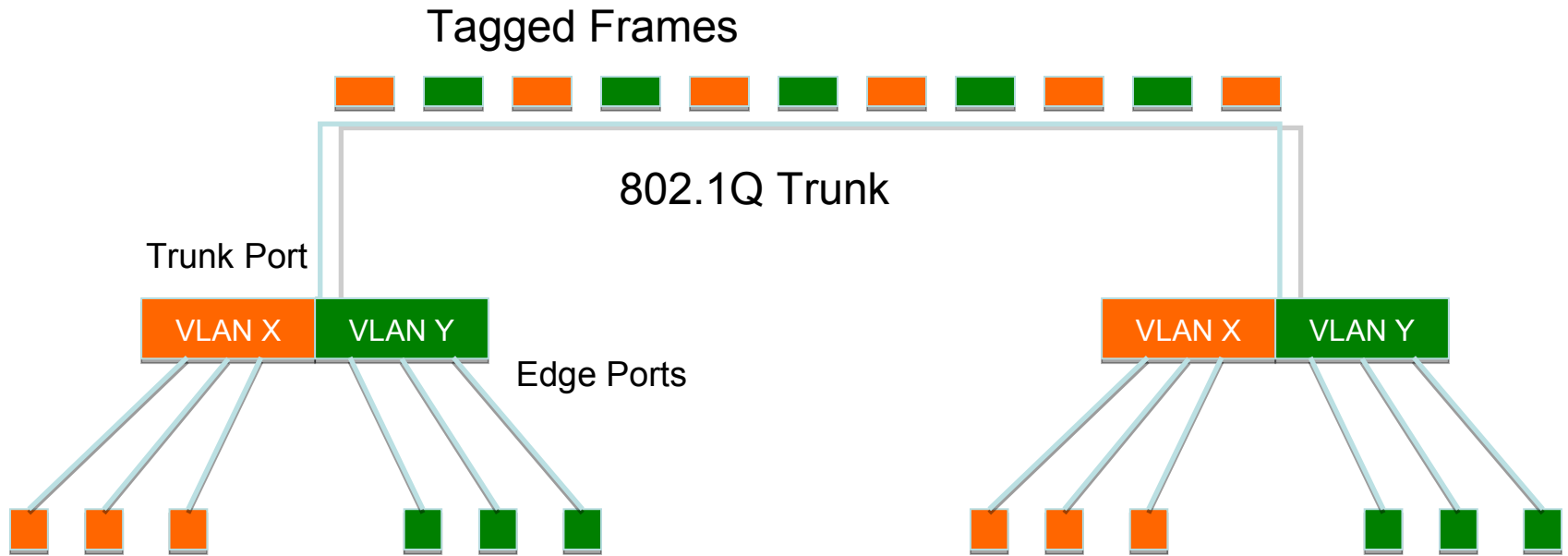
IEEE 802.1Q Tagged Frame



g016819



VLANs across switches



This is called “VLAN Trunking”



Tagged vs. Untagged

- Edge ports are not tagged, they are just “members” of a VLAN
- You only need to tag frames in switch-to-switch links (trunks), when transporting multiple VLANs
- A trunk can transport both tagged and untagged VLANs
 - As long as the two switches agree on how to handle those



VLANs increase complexity

- You can no longer “just replace” a switch
 - Now you have VLAN configuration to maintain
 - Field technicians need more skills
- You have to make sure that all the switch-to-switch trunks are carrying all the necessary VLANs
 - Need to keep in mind when adding/removing VLANs



Good reasons to use VLANs

- You want to segment your network into multiple subnets, but can't buy enough switches
 - Hide sensitive infrastructure like IP phones, building controls, etc.
- Separate control traffic from user traffic
 - Restrict who can access your switch management address



Bad reasons to use VLANs

- Because you can, and you feel cool 😊
- Because they will completely secure your hosts (or so you think)
- Because they allow you to extend the same IP network over multiple separate buildings



Do not build “VLAN spaghetti”

- Extending a VLAN to multiple buildings across trunk ports
- Bad idea because:
 - Broadcast traffic is carried across all trunks from one end of the network to another
 - Broadcast storm can spread across the extent of the VLAN
 - Maintenance and troubleshooting nightmare



Link Aggregation

- Also known as *port bundling*, *link bundling*
- You can use multiple links in parallel as a single, logical link
 - For increased capacity
 - For redundancy (fault tolerance)
- LACP (Link Aggregation Control Protocol) is a standardized method of negotiating these bundled links between switches

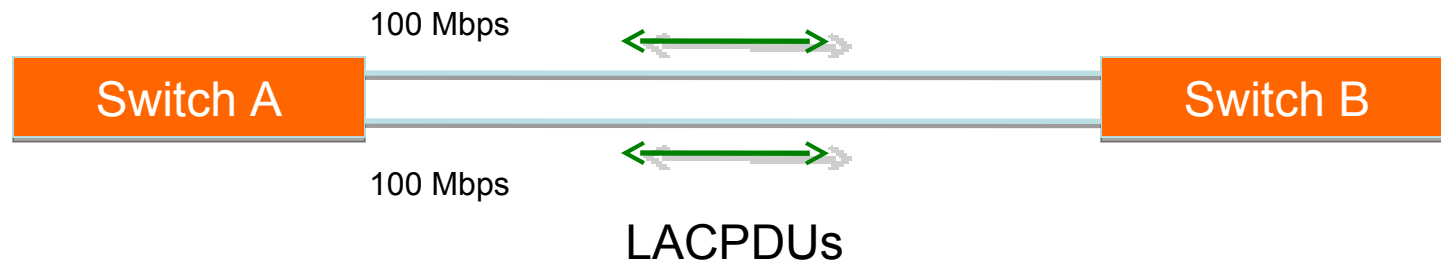


LACP Operation

- Two switches connected via multiple links will send LACPDU packets, identifying themselves and the port capabilities
- They will then automatically build the logical aggregated links, and then pass traffic.
- Switch ports can be configured as active or passive

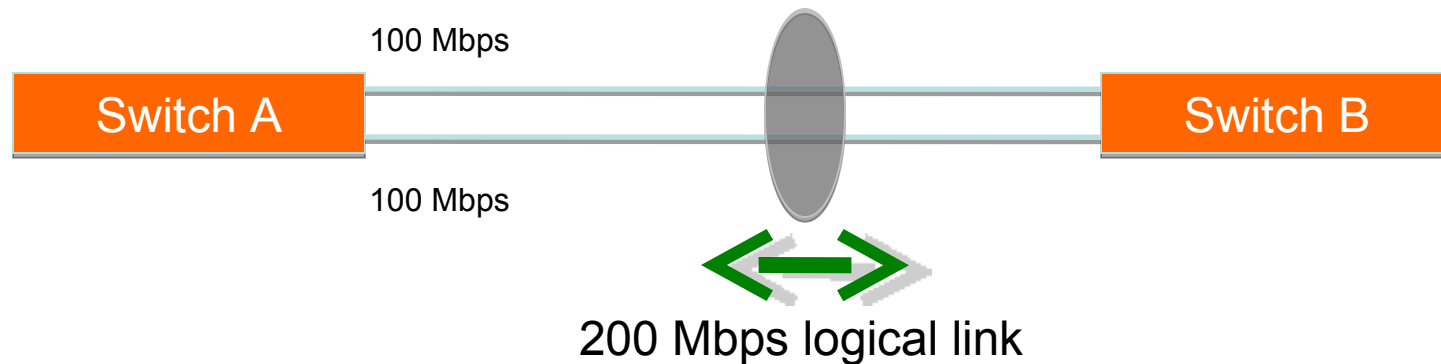


LACP Operation



- Switches A and B are connected to each other using two sets of Fast Ethernet ports
- LACP is enabled and the ports are turned on
- Switches start sending LACPDUs, then negotiate how to set up the aggregation

LACP Operation



- The result is an aggregated 200 Mbps logical link
- The link is also fault tolerant: If one of the member links fail, LACP will automatically take that link off the bundle, and keep sending traffic over the remaining link

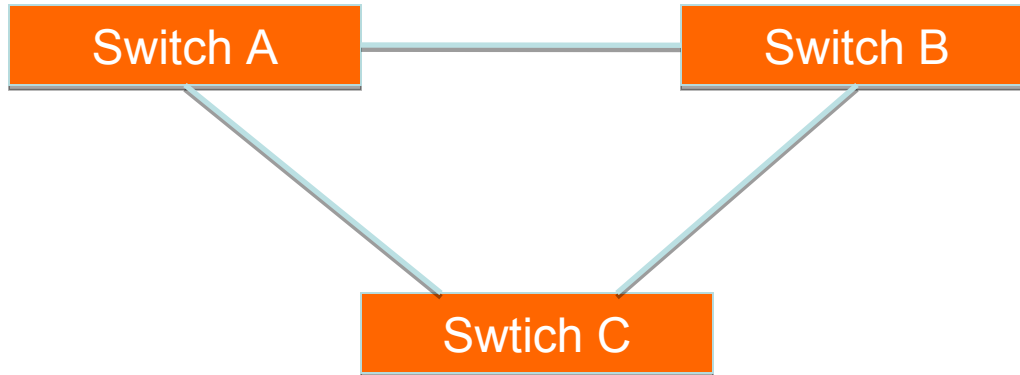


Distributing Traffic in Bundled Links

- Bundled links distribute frames using a hashing algorithm, based on:
 - Source and/or Destination MAC address
 - Source and/or Destination IP address
 - Source and/or Destination Port numbers
- This can lead to unbalanced use of the links, depending on the nature of the traffic
- Always choose the load-balancing method that provides the most distribution



Switching Loop



- When there is more than one path between two switches
- What are the potential problems?

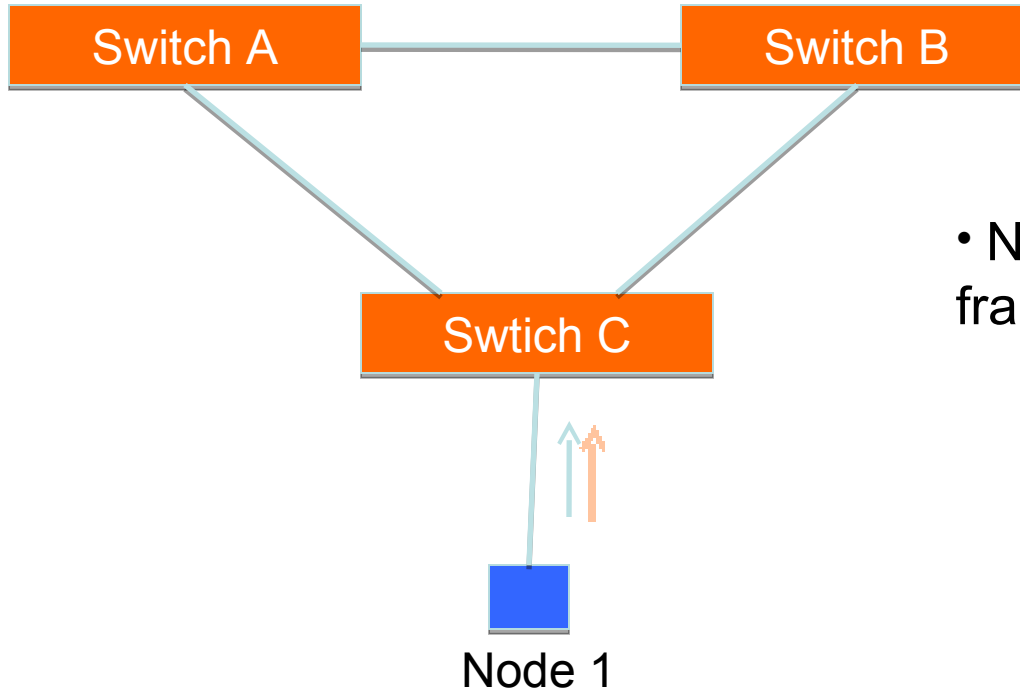


Switching Loop

- If there is more than one path between two switches:
 - Forwarding tables become unstable
 - Source MAC addresses are repeatedly seen coming from different ports
 - Switches will broadcast each other's broadcasts
 - All available bandwidth is utilized
 - Switch processors cannot handle the load



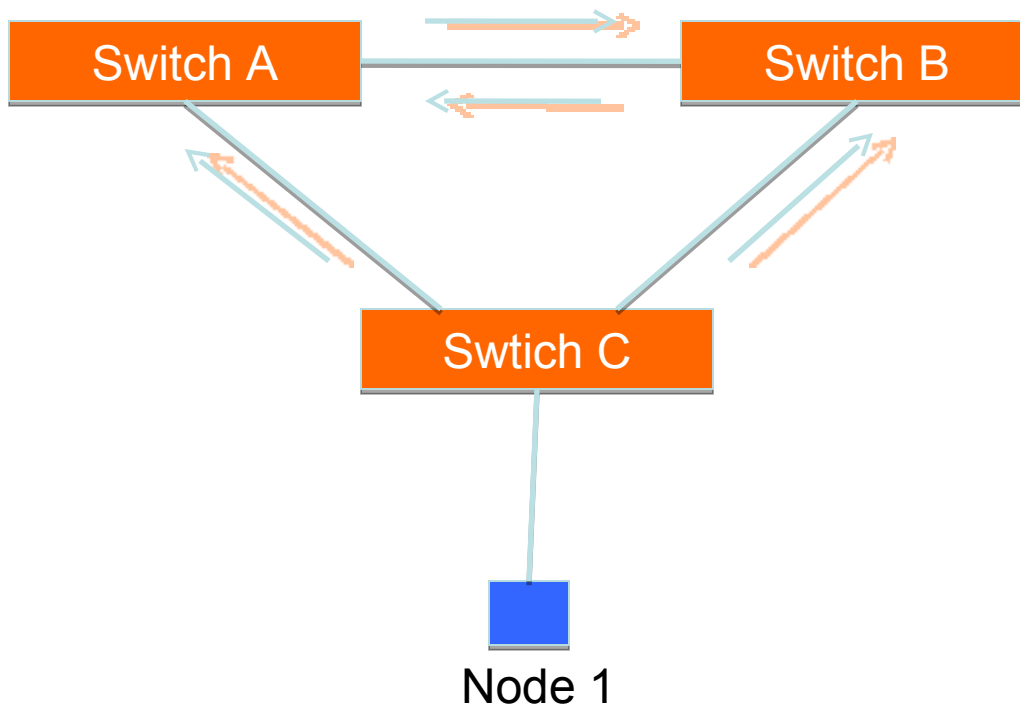
Switching Loop



- Node1 sends a broadcast frame (e.g. an ARP request)



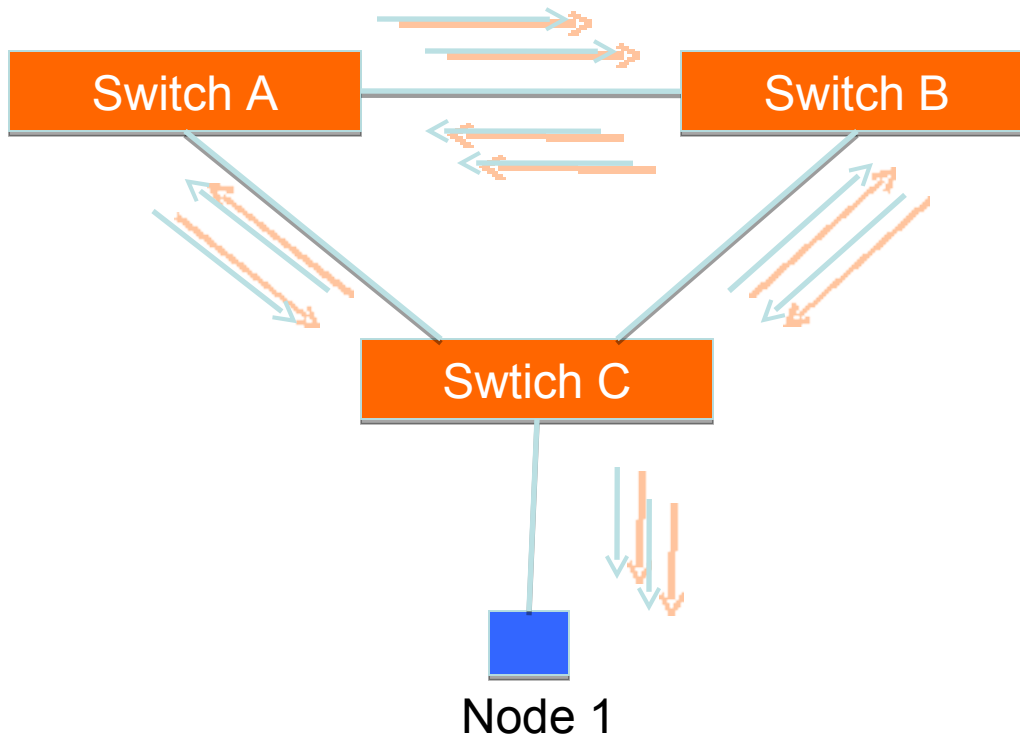
Switching Loop



- Switches A, B and C broadcast node 1's frame out every port



Switching Loop



- But they receive each other's broadcasts, which they need to forward again out every port!
- The broadcasts are amplified, creating a ***broadcast storm***



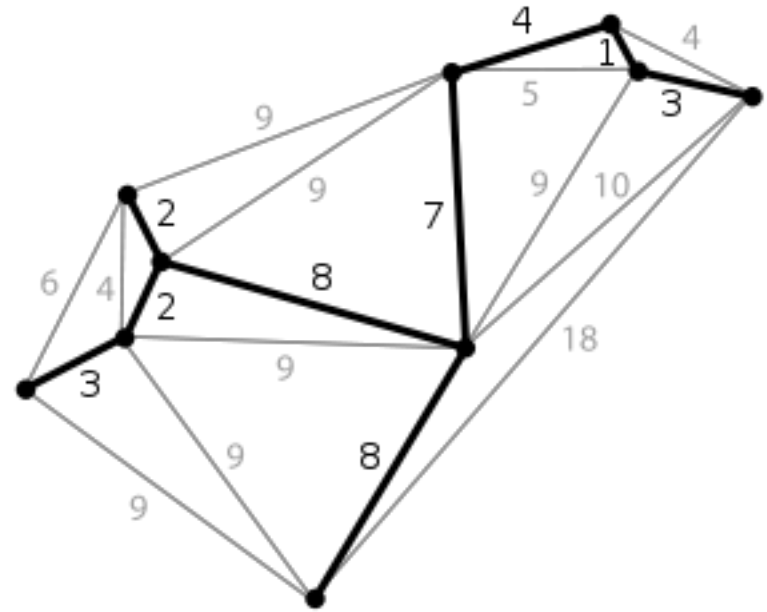
Good Switching Loops

- But you can take advantage of loops!
 - Redundant paths improve resilience when:
 - A switch fails
 - Wiring breaks
- How to achieve redundancy without creating dangerous traffic loops?



What is a Spanning Tree

- “Given a connected, undirected graph, a *spanning tree* of that graph is a subgraph which is a tree and connects all the vertices together”.
- A single graph can have many different spanning trees.



Spanning Tree Protocol

- The purpose of the protocol is to have bridges dynamically discover a subset of the topology that is loop-free (a tree) and yet has just enough connectivity so that where physically possible, there is a path between every switch



Spanning Tree Protocol

- Several flavors:
 - Traditional Spanning Tree (802.1d)
 - Rapid Spanning Tree or RSTP (802.1w)
 - Multiple Spanning Tree or MSTP (802.1s)



Traditional Spanning Tree (802.1d)

- Switches exchange messages that allow them to compute the Spanning Tree
 - These messages are called BPDUs (Bridge Protocol Data Units)
 - Two types of BPDUs:
 - Configuration
 - Topology Change Notification (TCN)



Traditional Spanning Tree (802.1d)

- First Step:
 - Decide on a point of reference: the **Root Bridge**
 - The election process is based on the Bridge ID, which is composed of:
 - The Bridge Priority: A two-byte value that is configurable
 - The MAC address: A unique, hardcoded address that cannot be changed.

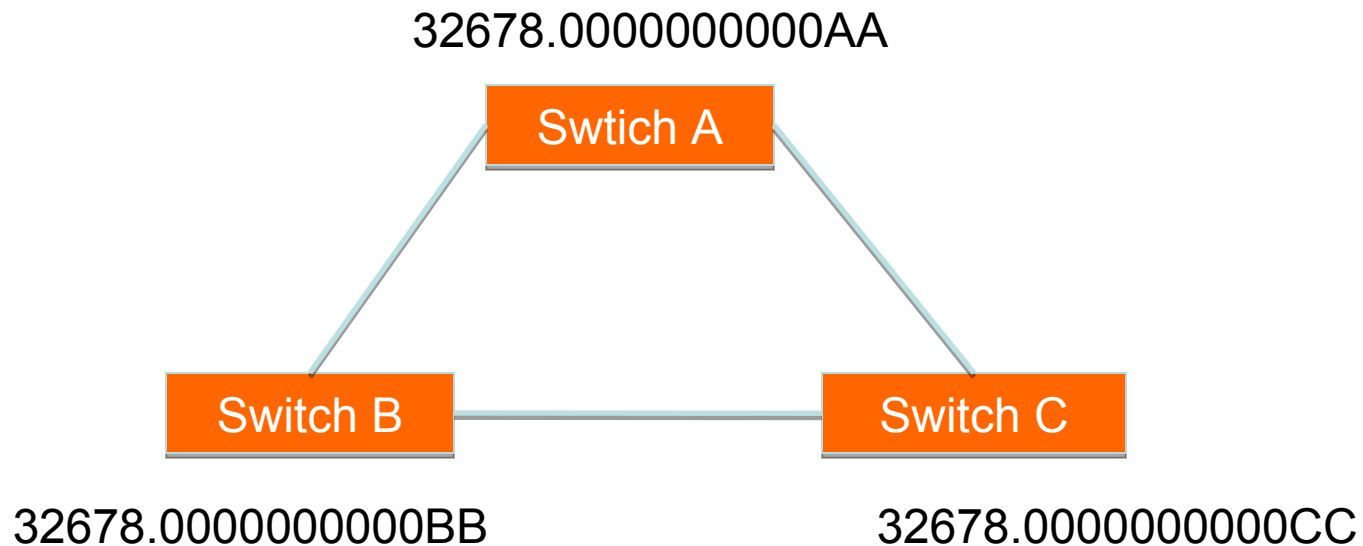


Root Bridge Selection (802.1d)

- Each switch starts by sending out BPDUs with a Root Bridge ID equal to its own Bridge ID
 - *I am the root!*
- Received BPDUs are analyzed to see if a lower Root Bridge ID is being announced
 - If so, each switch replaces the value of the advertised Root Bridge ID with this new lower ID
- Eventually, they all agree on who the Root Bridge is



Root Bridge Selection (802.1d)



- All switches have the same priority.
- Who is the elected root bridge?



Root Port Selection (802.1d)

- Now each switch needs to figure out where it is in relation to the Root Bridge
 - Each switch needs to determine its **Root Port**
 - The key is to find the port with the lowest **Root Path Cost**
 - The cumulative cost of all the links leading to the Root Bridge



Root Port Selection (802.1d)

- Each link on a switch has a ***Path Cost***
 - Inversely proportional to the link speed
 - e.g. The faster the link, the lower the cost

Link Speed	STP Cost
10 Mbps	100
100 Mbps	19
1 Gbps	4
10 Gbps	2



Root Port Selection (802.1d)

- ***Root Path Cost*** is the accumulation of a link's Path Cost and the Path Costs learned from neighboring Switches.
 - It answers the question: *How much does it cost to reach the Root Bridge through this port?*



Root Port Selection (802.1d)

1. Root Bridge sends out BPDUs with a Root Path Cost value of 0
2. Neighbor receives BPDU and adds port's Path Cost to Root Path Cost received
3. Neighbor sends out BPDUs with new cumulative value as Root Path Cost
4. Other neighbor's down the line keep adding in the same fashion

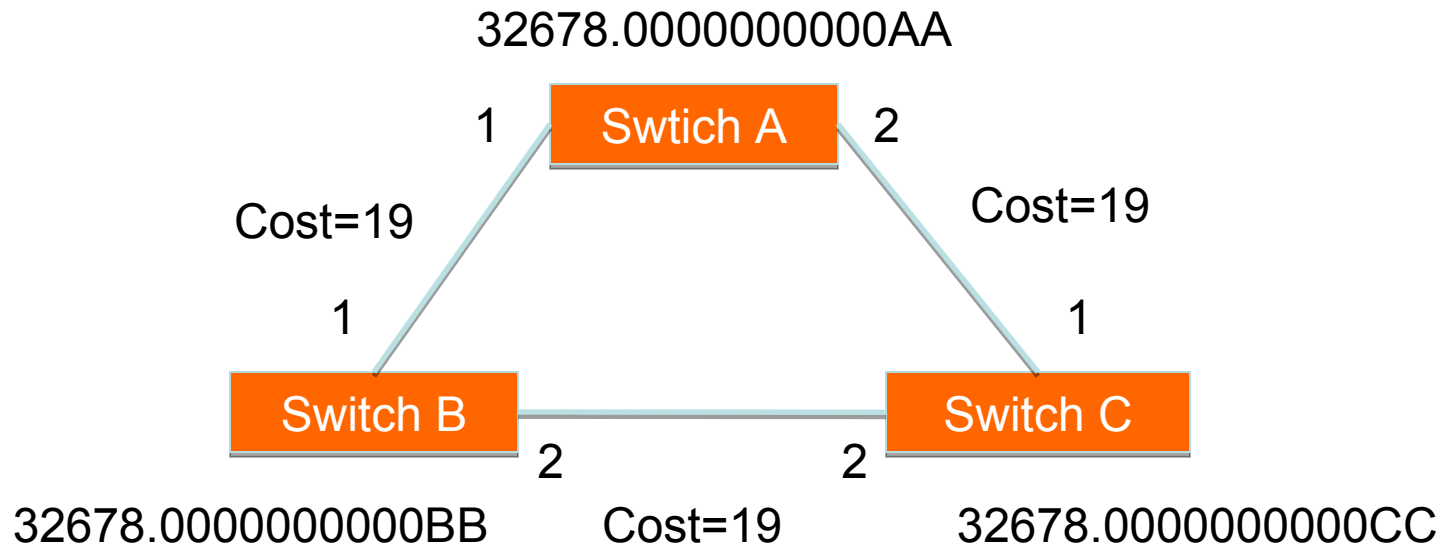


Root Port Selection (802.1d)

- On each switch, the port where the lowest Root Path Cost was received becomes the ***Root Port***
 - This is the port with the best path to the Root Bridge



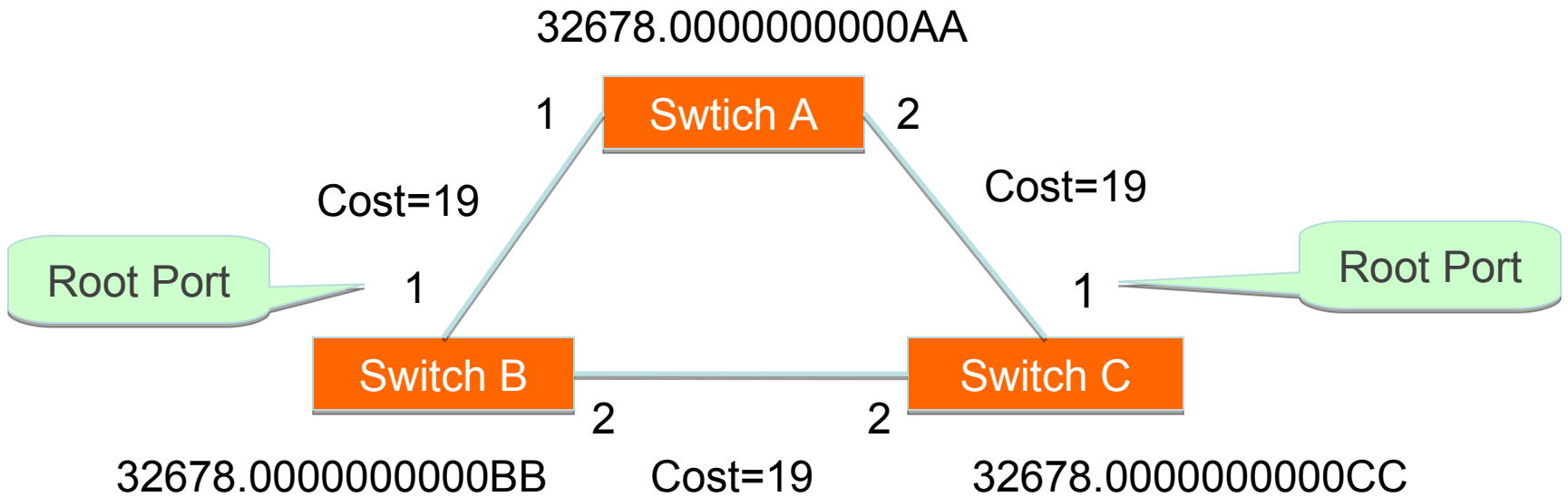
Root Port Selection (802.1d)



- What is the Path Cost on each Port?
- What is the Root Port on each switch?



Root Port Selection (802.1d)

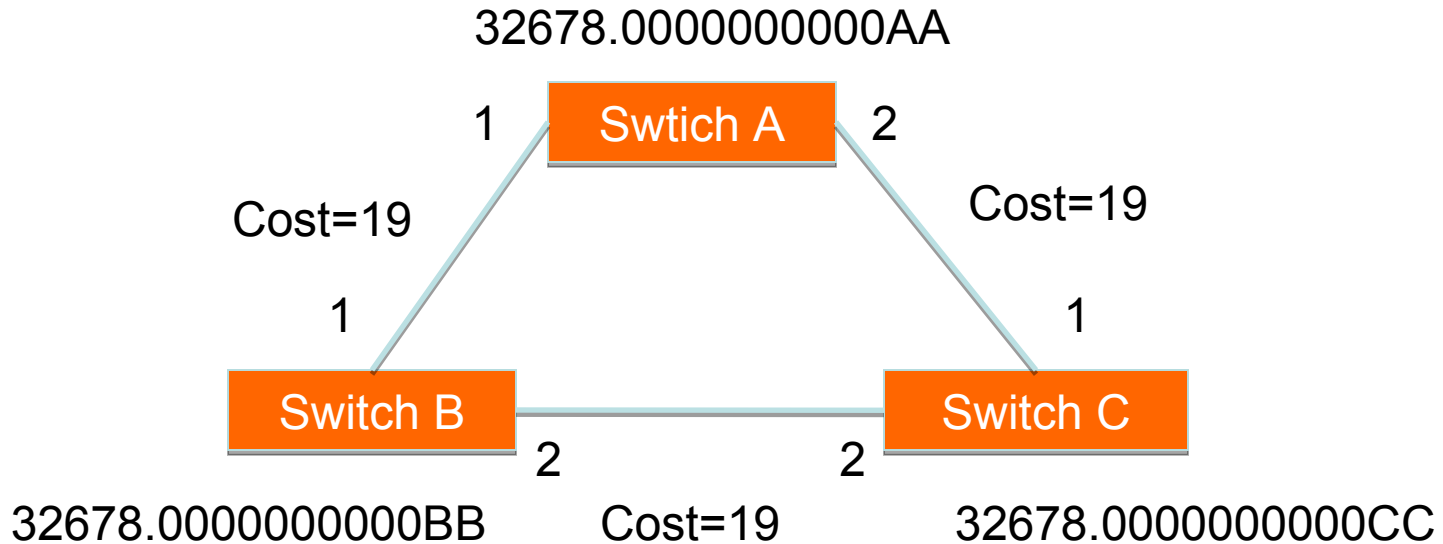


Electing Designated Ports (802.1d)

- OK, we now have selected root ports but we haven't solved the loop problem yet, have we
 - The links are still active!
- Each network segment needs to have only one switch forwarding traffic to and from that segment
- Switches then need to identify one ***Designated Port*** per link
 - The one with the lowest cumulative Root Path Cost to the Root Bridge



Electing Designated Ports(802.1d)



- Which port should be the Designated Port on each segment?

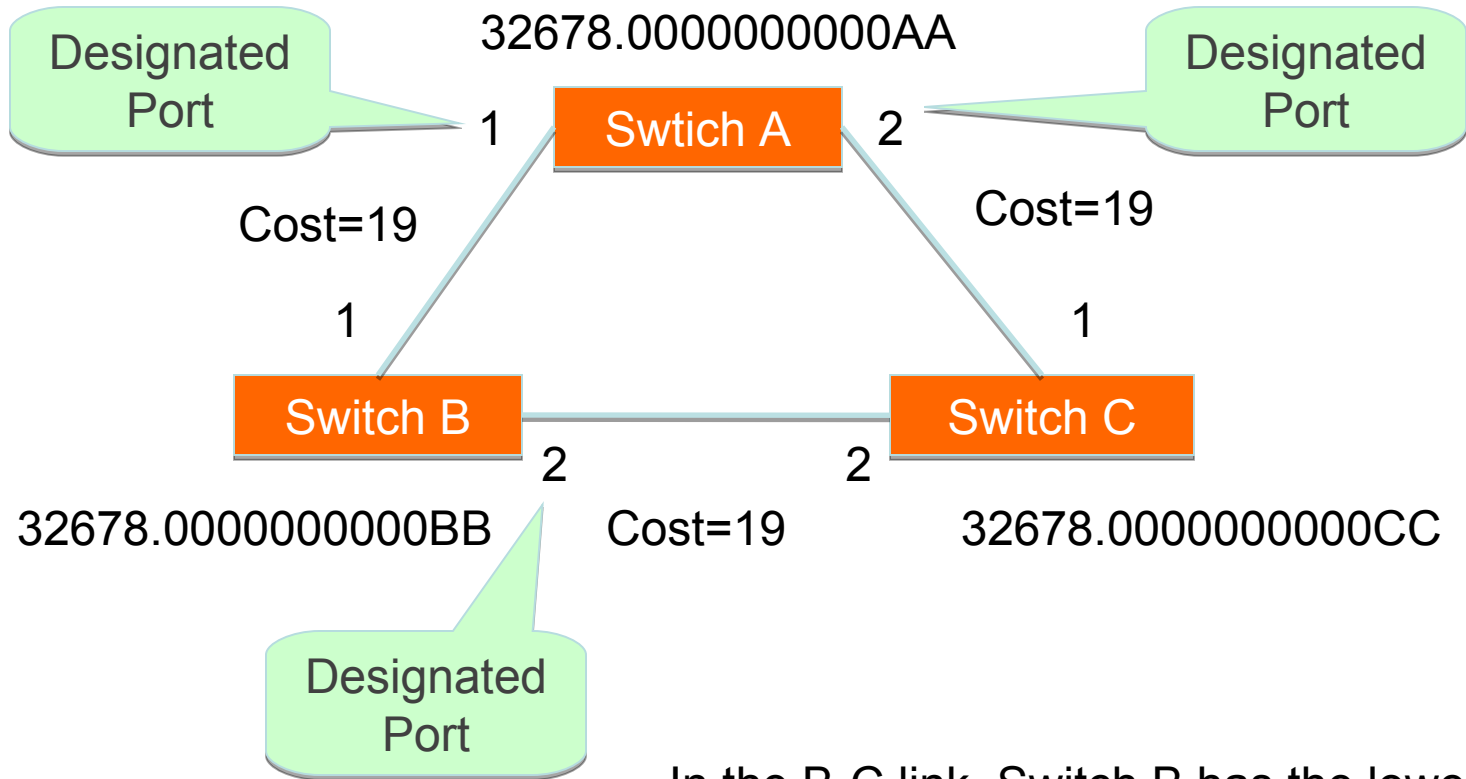


Electing Designated Ports (802.1d)

- Two or more ports in a segment having identical Root Path Costs is possible, which results in a tie condition
- All STP decisions are based on the following sequence of conditions:
 - Lowest Root Bridge ID
 - Lowest Root Path Cost to Root Bridge
 - Lowest Sender Bridge ID
 - Lowest Sender Port ID



Electing Designated Ports(802.1d)



In the B-C link, Switch B has the lowest Bridge ID, so port 2 in Switch B is the Designated Port

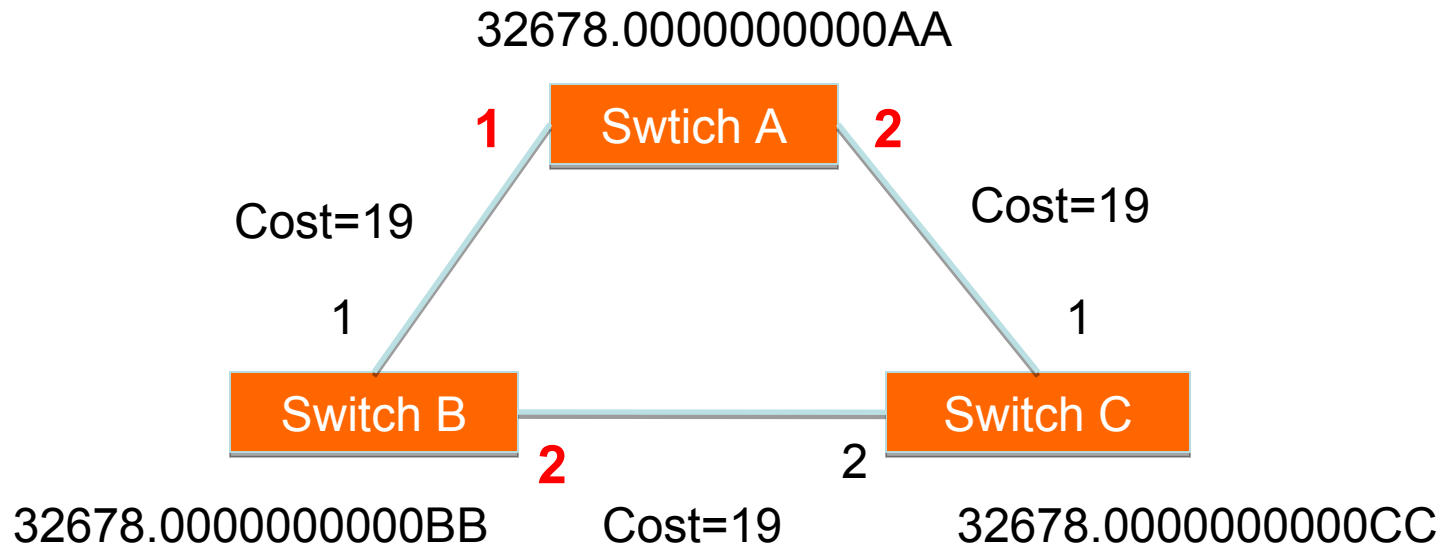


Blocking a port

- Any port that is not elected as either a Root Port, nor a Designated Port is put into the Blocking State.
- This step effectively breaks the loop and completes the Spanning Tree.



Designated Ports on each segment (802.1d)



- Port 2 in Switch C is then put into the ***Blocking State*** because it is ***neither a Root Port nor a Designated Port***



Spanning Tree Protocol States

- Disabled
 - Port is shut down
- Blocking
 - Not forwarding frames
 - Receiving BPDUs
- Listening
 - Not forwarding frames
 - Sending and receiving BPDUs



Spanning Tree Protocol States

- Learning
 - Not forwarding frames
 - Sending and receiving BPDUs
 - Learning new MAC addresses
- Forwarding
 - Forwarding frames
 - Sending and receiving BPDUs
 - Learning new MAC addresses



STP Topology Changes

- Switches will recalculate if:
 - A new switch is introduced
 - It could be the new Root Bridge!
 - A switch fails
 - A link fails

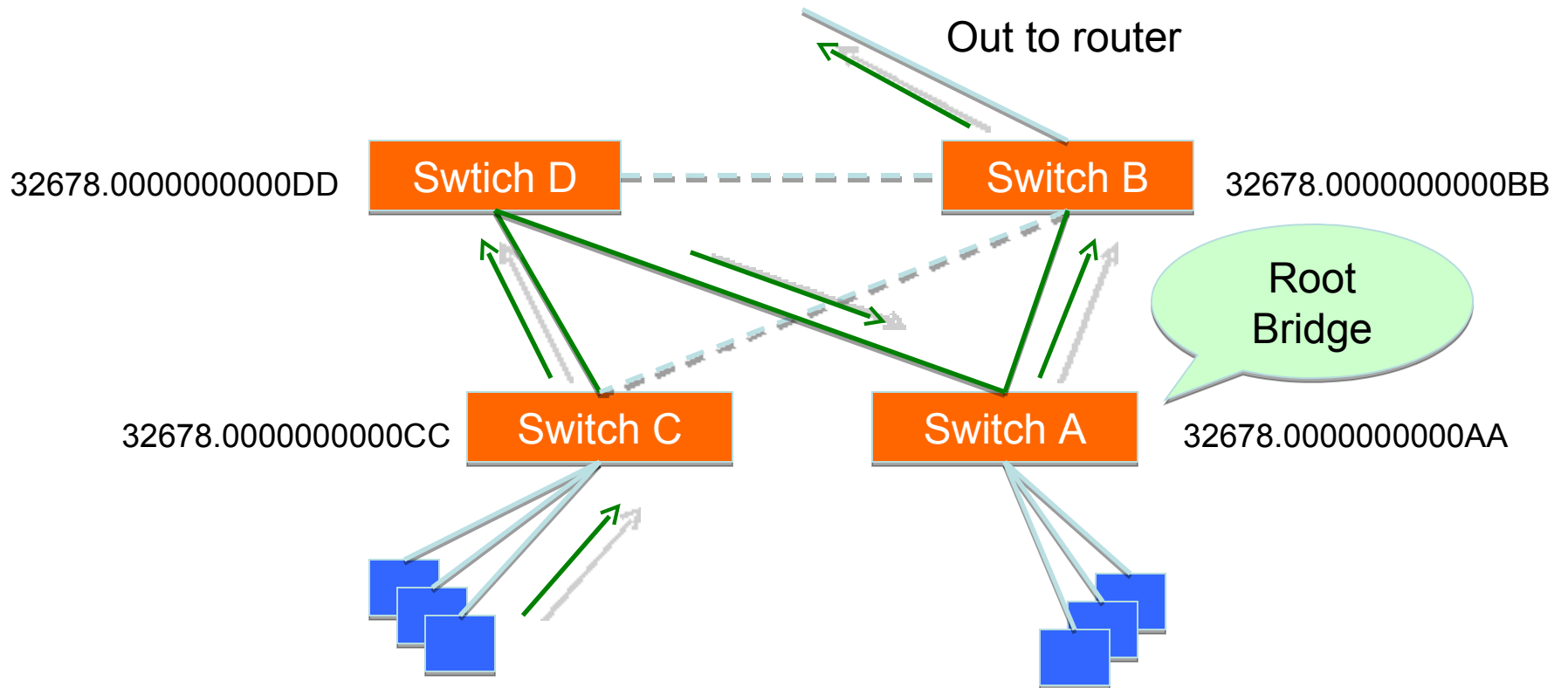


Root Bridge Placement

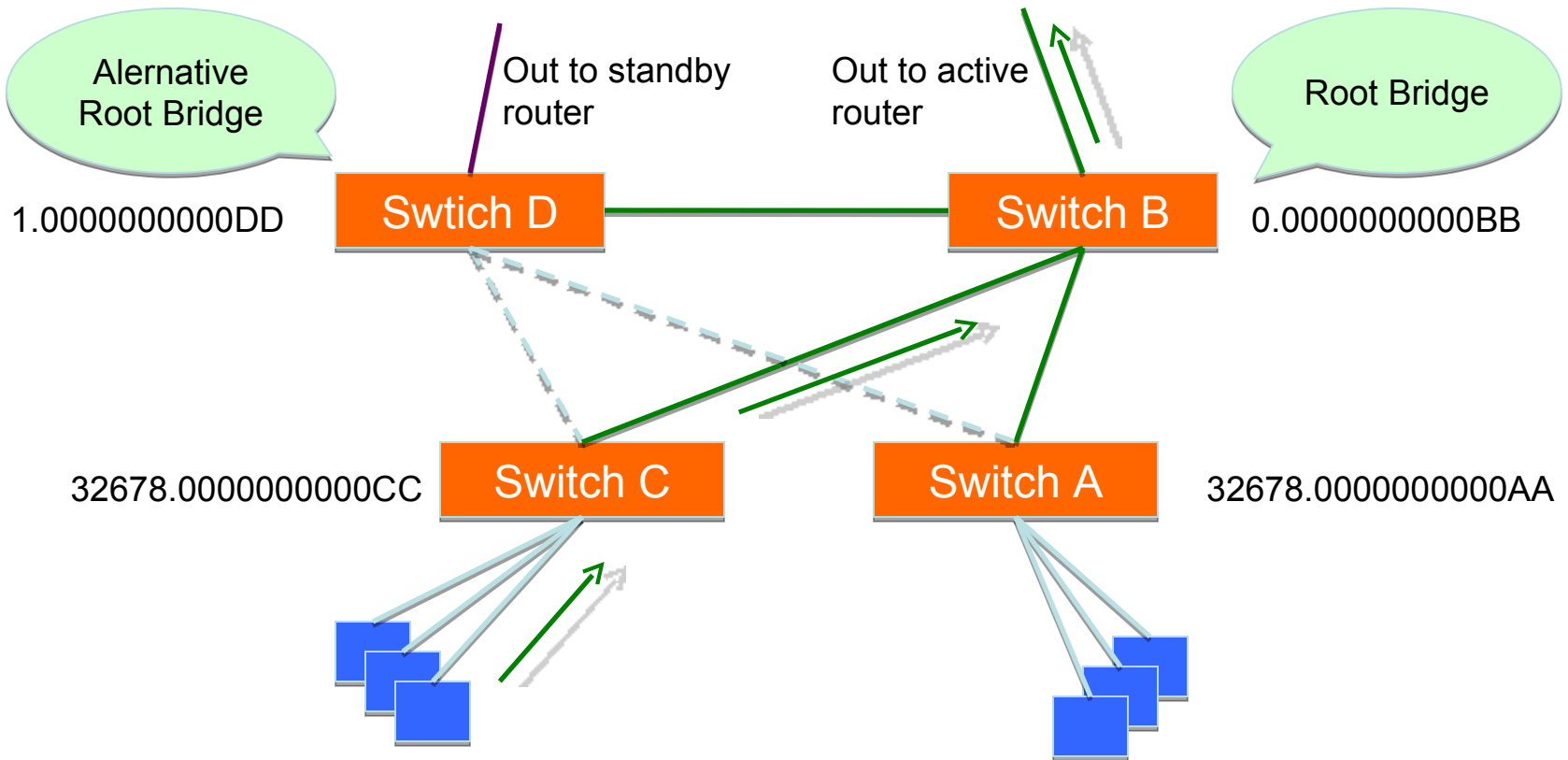
- Using default STP parameters might result in an undesired situation
 - Traffic will flow in non-optimal ways
 - An unstable or slow switch might become the root
- You need to plan your assignment of bridge priorities carefully



Bad Root Bridge Placement



Good Root Bridge Placement



Protecting the STP Topology

- Some vendors have included features that protect the STP topology:
 - Root Guard
 - BPDU Guard
 - Loop Guard
 - UDLD
 - Etc.



STP Design Guidelines

- Enable spanning tree even if you don't have redundant paths
- Always plan and set bridge priorities
 - Make the root choice deterministic
 - Include an alternative root bridge
- If possible, do not accept BPDUs on end user ports
 - Apply BPDU Guard or similar where available



8021.d Convergence Speeds

- Moving from the Blocking state to the Forwarding State takes at least $2 \times \textit{Forward Delay}$ time units (~ 30 secs.)
 - This can be annoying when connecting end user stations
- Some vendors have added enhancements such as *PortFast*, which will reduce this time to a minimum for edge ports
 - Never use *PortFast* or similar in switch-to-switch links
- Topology changes typically take 30 seconds too
 - This can be unacceptable in a production network



Rapid Spanning Tree (802.1w)

- Convergence is **much** faster
 - Communication between switches is more interactive
- Edge ports don't participate
 - Edge ports transition to forwarding state immediately
 - If BPDUs are received on an edge port, it becomes a non-edge port to prevent loops



Rapid Spanning Tree (802.1w)

- Defines these port roles:
 - Root Port (same as with 802.1d)
 - Alternate Port
 - A port with an alternate path to the root
 - Designated Port (same as with 802.1d)
 - Backup Port
 - A backup/redundant path to a segment where another bridge port already connects.

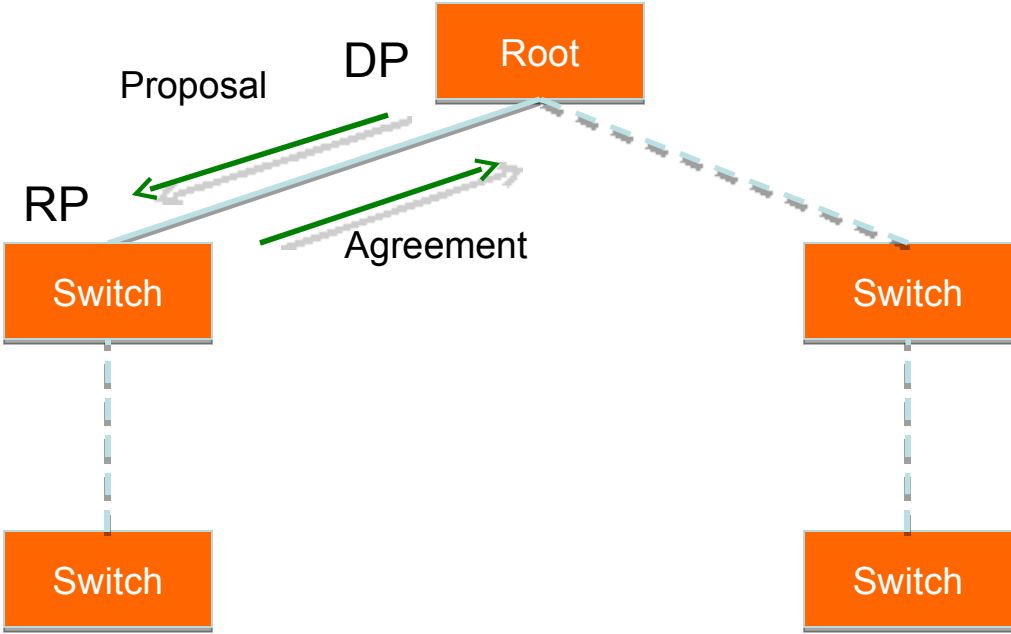


Rapid Spanning Tree (802.1w)

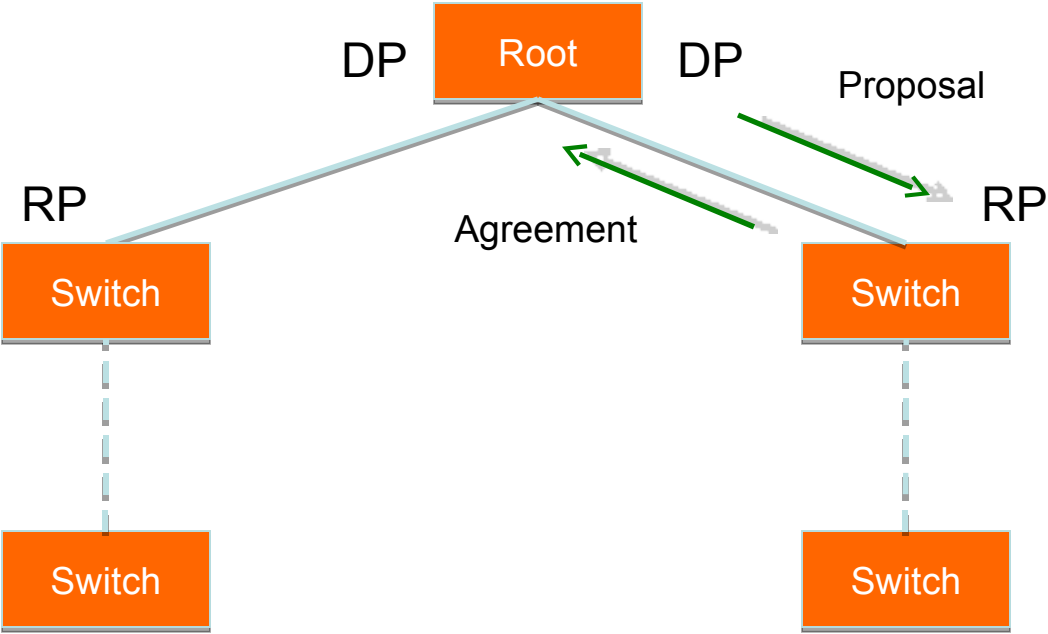
- Synchronization process uses a handshake method
 - After a root is elected, the topology is built in cascade, where each switch proposes to be the designated bridge for each point-to-point link
 - While this happens, all the downstream switch links are blocking



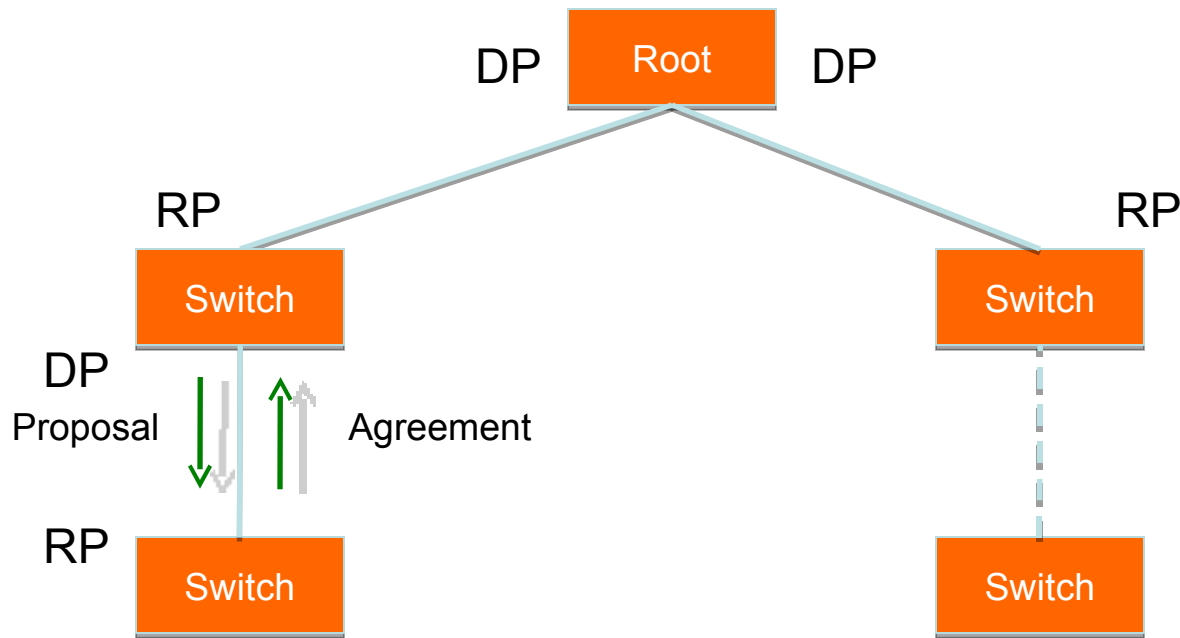
Rapid Spanning Tree (802.1w)



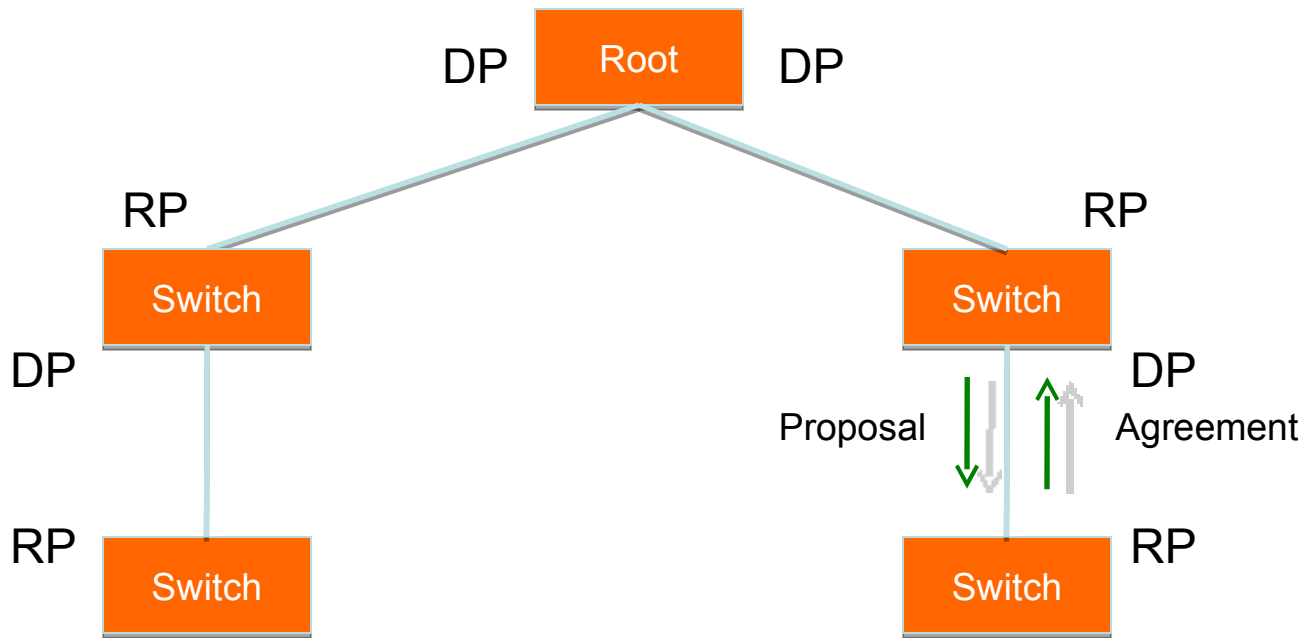
Rapid Spanning Tree (802.1w)



Rapid Spanning Tree (802.1w)



Rapid Spanning Tree (802.1w)



Rapid Spanning Tree (802.1w)

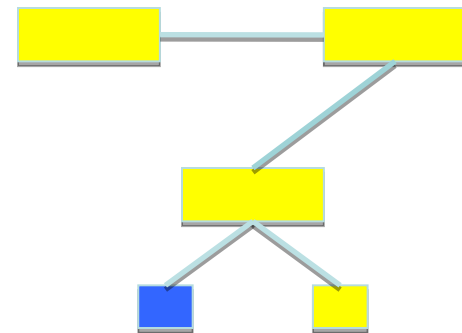
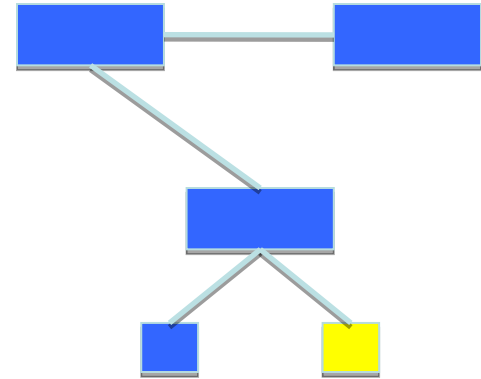
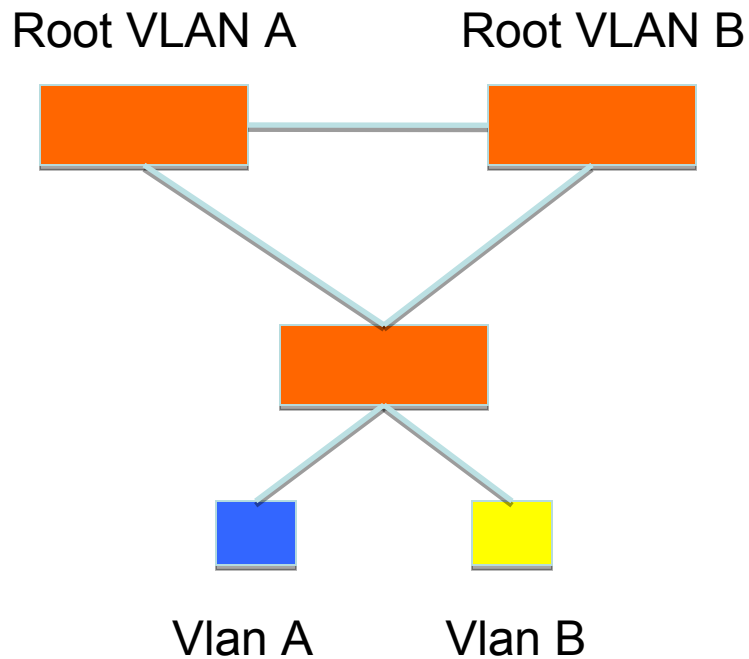
- Prefer RSTP over STP if you want faster convergence
- Always define which ports are edge ports

Multiple Spanning Tree (802.1s)

- Allows separate spanning trees per VLAN group
 - Different topologies allow for load balancing between links
 - Each group of VLANs are assigned to an “instance” of MST
- Compatible with STP and RSTP



Multiple Spanning Tree (802.1s)



Multiple Spanning Tree (802.1s)

- MST Region
 - Switches are members of a region if they have the same set of attributes:
 - MST configuration name
 - MST configuration revision
 - Instance-to-VLAN mapping
 - A digest of these attributes is sent inside the BPDUs for fast comparison by the switches
 - One region is usually sufficient



Multiple Spanning Tree (802.1s)

- CST = Common Spanning Tree
 - In order to interoperate with other versions of Spanning Tree, MST needs a common tree that contains all the other islands, including other MST regions



Multiple Spanning Tree (802.1s)

- IST = Internal Spanning Tree
 - Internal to the Region, that is
 - Presents the entire region as a single virtual bridge to the CST outside

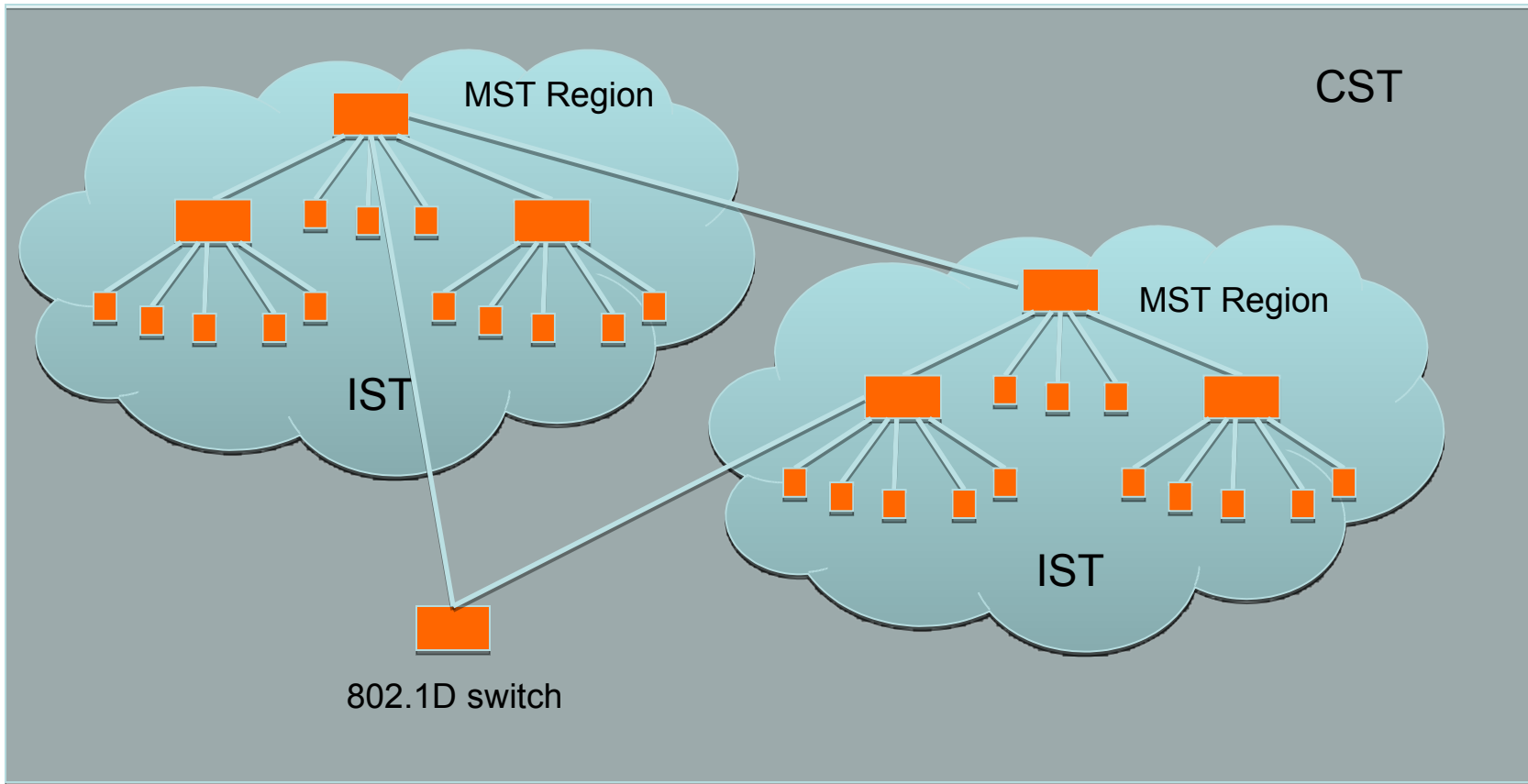


Multiple Spanning Tree (802.1s)

- MST Instances
 - Groups of VLANs are mapped to particular Spanning Tree instances
 - These instances will represent the alternative topologies, or forwarding paths
 - You specify a root and alternate root for each instance



Multiple Spanning Tree (802.1s)



Multiple Spanning Tree (802.1s)

- Design Guidelines
 - Determine relevant forwarding paths, and distribute your VLANs equally into instances matching these topologies
 - Assign different root and alternate root switches to each instance
 - Make sure all switches match region attributes
 - Do not assign VLANs to instance 0, as this is used by the IST



Selecting Switches

- Minimum features:
 - Standards compliance
 - Encrypted management (SSH/HTTPS)
 - VLAN trunking
 - Spanning Tree (RSTP at least)
 - SNMP
 - At least v2 (v3 has better security)
 - Traps



Selecting Switches

- Other recommended features:
 - DHCP Snooping
 - Prevent end-users from running a rogue DHCP server
 - Happens a lot with little wireless routers (Netgear, Linksys, etc) plugged in backwards
 - Uplink ports towards the legitimate DHCP server are defined as “trusted”. If DHCPOFFERs are seen coming from any untrusted port, they are dropped.



Selecting Switches

- Other recommended features:
 - Dynamic ARP inspection
 - A malicious host can perform a man-in-the-middle attack by sending gratuitous ARP responses, or responding to requests with bogus information
 - Switches can look inside ARP packets and discard gratuitous and invalid ARP packets.



Selecting Switches

- Other recommended features:
 - IGMP Snooping:
 - Switches normally flood multicast frames out every port
 - Snooping on IGMP traffic, the switch can learn which stations are members of a multicast group, thus forwarding multicast frames only out necessary ports
 - Very important when users run Norton Ghost, for example.



Network Management

- Enable SNMP traps and/or syslog
 - Collect and process in centralized log server
 - Spanning Tree Changes
 - Duplex mismatches
 - Wiring problems
- Monitor configurations
 - Use RANCID to report any changes in the switch configuration



Network Management

- Collect forwarding tables with SNMP
 - Allows you to find a MAC address in your network quickly
 - You can use simple text files + grep, or a web tool with DB backend
- Enable LLDP (or CDP or similar)
 - Shows how switches are connected to each other and to other network devices



Documentation

- Document where your switches are located
 - Name switch after building name
 - E.g. building1-sw1
 - Keep files with physical location
 - Floor, closet number, etc.
- Document your edge port connections
 - Room number, jack number, server name



Questions?

- Thank you.

