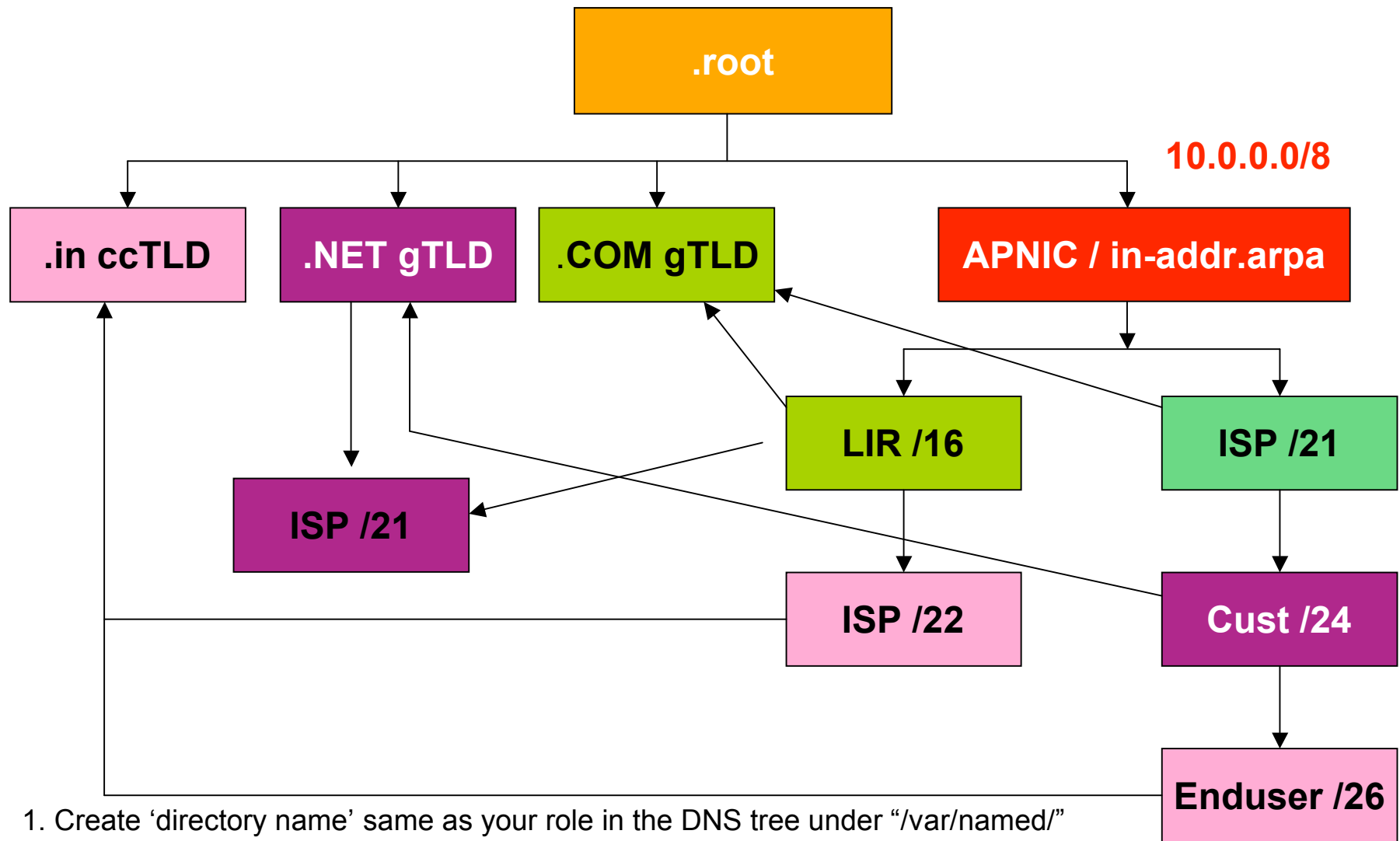


# Complete the DNS Tree



1. Create 'directory name' same as your role in the DNS tree under "/var/named/"
2. Configure only one DNS server
3. Configure with both RNDNC and TSIG